



GALVANIZED BASE NO-CALK® ROOF FLASHINGS TECHNICAL SPECIFICATION

Job Name _____	Item # _____
Location _____	
Engineer _____	Contractor _____
PO # _____	Tag _____
Representative _____	

SPECIFICATIONS

Oatey Galvanized Base No-Calk Roof Flashings can be used in commercial and residential applications where a watertight seal for roof penetrations around the plumbing vent pipe is required.

APPROVALS AND LISTINGS

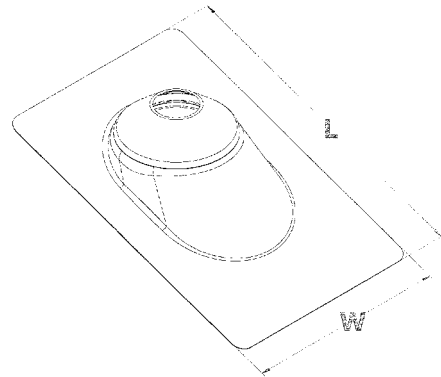
IAPMO Listed



DESCRIPTION

All dimensions in inches.

- Roof Flashing slides over DWV pipe for pitch to 40°.
- Made of rust-proof, stamped 24 or 28 gauge galvanized steel.
- Non-fading sealing collar.
- Approved for Type B installations.
- Not for hot-mopped or built-up roofs.
- Do not use paint or petroleum based products on rubber collars.



PRODUCT SELECTOR

GALVANIZED BASE NO-CALK® ROOF FLASHINGS							
✓	Product Number	Description	Length (L)	Width (W)	Pack	Carton Weight	
	11830	½" – 1" Galvanized No-Calk Roof Flashing – Solar	12-½	9	12	11 lbs.	5 kg.
	11840	1-¼" – 1-½" Galvanized No-Calk Roof Flashing	12-½	9	12	12 lbs.	5 kg.
	11855	2" Galvanized No-Calk Roof Flashing	12-½	9	12	12 lbs.	5 kg.
	11866	3" Galvanized No-Calk Roof Flashing	14-½	11	12	17 lbs.	8 kg.
	11879	4" Galvanized No-Calk Roof Flashing	15	12	12	23 lbs.	10 kg.

Data is subject to manufacturing tolerances.