



WallDrain Sink Application

INSTALLATION INSTRUCTIONS

WallDrain can be installed in many creative layouts including custom sinks. The instructions below are for a 36" high, 30" wide, 19" deep sink. Contact our technical support team to plan for your installation.

PRIOR TO INSTALL

Build platform with level surface and 2"x4" stud wall with sill plate at the rear wall for installation of a Vertical Outlet WallDrain. Must have a return wall on each side of the sink when using WallDrain.

Route drain piping so that the center of the waste pipe is flush with the front face of the wall framing. The height is calculated by the following formula measured down from the leveled line drawn at the finished subfloor of the bathroom:

$$N = D \times 0.021 + 1 \frac{3}{8}"$$

(D) is the distance in inches between the center of the waste line and the beginning point of the slope in the sink.

SLOPE AND DRAIN BODY INSTALLATION RECOMMENDATIONS

- 1 Remove screws and adjustment panel assembly (F) from vertical installation panel (C) and retain for future use.

When creating the necessary minimum slope of 1/8" per foot with wood or other structural materials (i.e. plywood, OSB, PET, etc.), the drain body and vertical installation panel are installed after the slope is created. When slope is created with the use of concrete, mortar or other similar materials, the drain body and vertical installation panel are set in place first and the slope is floated to them. Please refer to the concrete manufacturer for minimum thickness of mortar bed. This elevation will have to be accounted for to determine the drain elevation.

The horizontal flange of the WallDrain needs to be set on the lowest edge of the slope. The correct height for that line is calculated by formula: $Z = D \times 0.021$

(D) is the distance, in inches, from the front edge of the slope to the framing on the WallDrain wall.

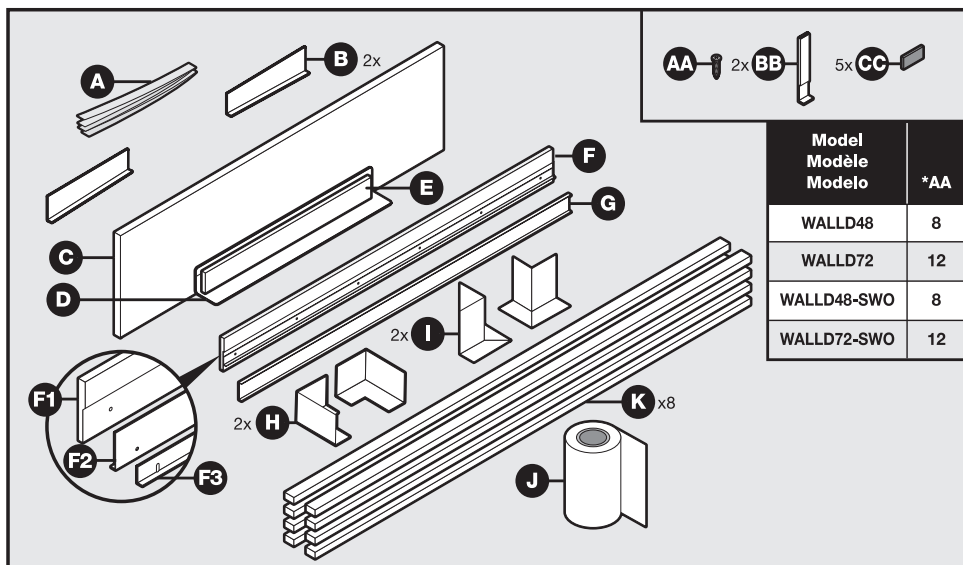


TECHNICAL SUPPORT & JOB SITE ASSISTANCE

Our team is able to provide expert on-site instruction and support. We also help by providing early design drawings to get your project started off right. For a complete listing of QuickDrain parts, materials and design options, visit LRBrands.com/QuickDrain

- 2 Connect drain to waste pipe with approved two band coupling (make sure the drain is level regardless of the subfloor). Secure vertical installation panel to framing with water resistant screws. Note: If sloped plywood is used, slope has been created at this point. If concrete slope in recess is utilized, the slope installation starts after this step.
- 3 Install 1" furring strips (K) onto rear wall framing with water resistant screws.
- 4 Install backer board 8-1/2" above the horizontal flange of the drain over the vertical installation panel and furring strips.
- 5 Prep the drain by removing tape and thoroughly cleaning flange with Hercules for Hands or acetone. Install transition tape along both sides and each end of drain flange (overlapping flange by 1/4"-3/8" and over lapping tape by 1-1/2" at ends).

Have questions? Contact a QuickDrain specialist at 866.998.6685 **Need more information?** Visit us at LRBrands.com.



- A** Transition Tape
- B** Trough Extensions
- C** Vertical Installation Panel
- D** Drain Body
- E** Foam Insert
- F1** Adjustment Panel
- F2** Adjustment Panel Base
- F2** Magnet Cover, Tile Edging
- G** Tile-In Cover
- H** Inside Corners
- I** Outside Corners
- J** Reinforcement Fabric
- K** Furring Strips
- AA** Adjustment Panel Screws
- BB** Cover Standoffs
- CC** Cover Magnets

LIQUID WATERPROOF INSTALLATION

- 6** Apply liquid waterproofing on vertical installation panel and shower floor overlapping foam insert.
- 7** Place inside corners (H) and outside corners (I) into liquid waterproofing (while wet).
- 8** Place reinforcement fabric into liquid waterproofing (while wet) where necessary, which would be required at all transition points.
- 9** Apply a coat of liquid waterproofing over the entire sink pan and vertical installation panel. Let cure. Apply liquid waterproofing to wall and sink base transitions and over seam of rear wall above adjustment panel. Follow manufacturer's recommendations for mil thickness and cure times.

ADJUSTMENT PANEL INSTALLATION

- 10** Measure width for adjustment panel. Adjustment panel to be cut from one side due to magnet placement. Place adjustment panel assembly (F) on top of foam insert. After making sure the adjustment panel is level, secure to studs with water resistant screws.
- 11** Apply liquid waterproofing to height adjustment panel and wall board and install reinforcement fabric at horizontal joint.
- 12** Cut liquid waterproofing at edge of foam and remove the insert.

TROUGH EXTENSION INSTALLATION

- 13** Measure the distance between walls and ends of trough.
- 14** Cut the extensions to the length from previous step. Install transition tape on rear of trough extension. Turn over extensions and put a strip of transition tape on the back side of each.
- 15** Apply thin set over transition tape on back of extensions.

FINAL INSTALLATION

- 16** Install trough extension so the end at the drain is flush with the drain body. The outside edge of the trough extension must be flush with the stainless steel adjustment panel. Also, slightly pitch towards the drain outlet.
- 17** Set tiles on the sink base and let it set up before working on it.
- 18** Measure distance for the cover (this should span from side wall to side wall).
- 19** After cutting Tile-In cover to correct size, place standoffs on either end.
- 20** Place Tile-In cover into position (this provides the correct position for the tile edging).
- 21** Loosen the screws on the adjustment panel. Let the tile edging drop all the way down onto the top of the Tile-In cover. Re-tighten screws.
- 22** Remove Tile-In cover. Set tiles on all walls.
- 23** Replace Tile-In cover into position (the cover might need to be re-cut depending on the tile installation of the side wall tiles).
- 24** Place magnets into Tile-In cover. Magnets will align themselves. Adhere Transition Tape over magnets making sure all magnets are fully covered. Transition Tape must extend fully across the Tile-In cover.
- 25** Set tiles in Tile-In cover.
- 26** Remove Tile-In cover. Grout and caulk the entire shower.

IMPORTANT INFORMATION

- DO NOT grout in cover. Cover must remain removable for maintenance.
- A low flow aerator is necessary for this application.

Have questions? Contact a QuickDrain specialist at 866.998.6685 **Need more information?** Visit us at LRBrands.com.