



OATEY QUIET PIPES® HAMMER ARRESTORS SIZE AA

Job Name _____ Item # _____
 Location _____
 Engineer _____ Contractor _____
 PO # _____ Tag _____
 Representative _____

SPECIFICATIONS

Oatey Quiet Pipes Hammer Arrestors shall be installed in any small diameter pipe supply application which could experience water hammer due to quick closing valves or faucets. Arrestor chambers shall be specifically sized to accommodate and dissipate energy generated by such valves and faucets. Arrestors shall be effective when installed at any angle. Arrestor shall be lead-free, made of copper and include a polypropylene piston with two NBR o-rings. Arrestors shall be ANSI/ASSE1010-2004, listed and approved for installation with no access panel required. Compatible with press fittings or push fittings.

FEATURES & MATERIALS

Arrestor Body	Copper (Type L)
Piston	Polypropylene with two NBR O-rings
Piston Lubrication	Dow Corning Molykote 111
Fittings Available	Male Sweat, Female CPVC, Male CPVC, F1807 PEX & F1960 PEX (no lead brass C46400)



PERFORMANCE SPECIFICATIONS

Temperature Range	33° - 180° F
Max Working Pressure	0-60 PSI

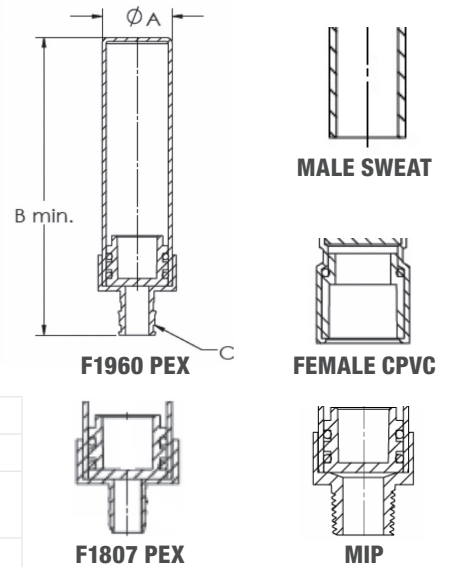
LISTINGS & CODE APPROVALS

ANSI/ASSE1010-2004
cUPC
PDI WH-201-2017



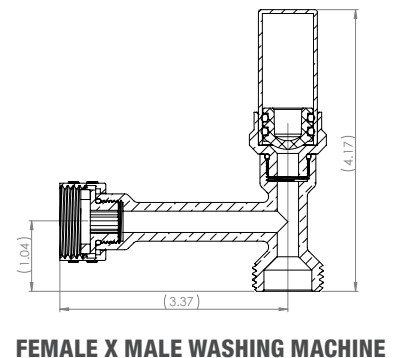
DIMENSIONS

Arrestor Size	AA	AA	AA	AA	AA	AA	AA	AA
Product #	34498	34458	34459	34460	34461	39177	38600	34463
Arrestor Body Diameter [A]:	0.875"	0.875"	0.875"	0.875"	0.875"	0.87"	0.87"	0.875"
Overall Height [B]:	5.57"	2.95"	3.63"	3.83"	3.85"	2.75"	4.38"	5.36"
Fitting Type [C]:	Male Sweat/ Press	Female CPVC	Male CPVC	F1960 PEX	F1807 PEX	MIP	Branch	Male Sweat/ Press
Fitting Size [C]:	1/2"	1/2"	1/2"	1/2"	1/2"	1/2"	3/4"	3/4"



PRODUCT SELECTOR

✓	Product Number	Description	✓	Product Number	Description
	34498	AA, 1/2" Male Sweat/Press		34461	AA, 1/2" F1807 PEX
	34458	AA, 1/2" Female CPVC		39177	AA, 1/2" MIP
	34459	AA, 1/2" Male CPVC		38600	AA, 3/4" x 3/4" Washing Machine
	34460	AA, 1/2" F1960 PEX		34463	AA, 3/4" Male Sweat/Press



*Limited Lifetime Warranty – See Oatey.com/warranty for details.

Access BIM/Revit content through www.Oatey.com