



16 DEEP LOCKING CUP SINK BASKET STRAINER TECHNICAL SPECIFICATION

Job Name _____	Item # _____
Location _____	
Engineer _____	Contractor _____
PO # _____	Tag _____
Representative _____	

SPECIFICATIONS

Dearborn Brass 16 Deep Locking Cup Sink Basket Strainer will fit sinks with 3-1/2" to 4" opening. Designed for use in residential sinks.

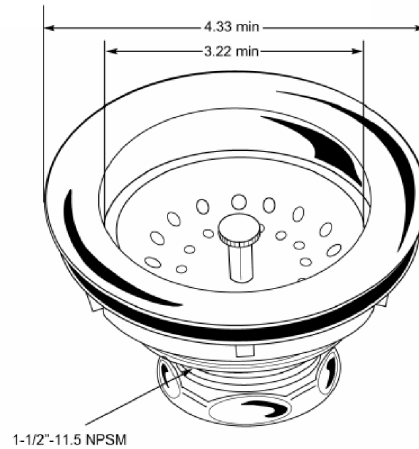
DESCRIPTION

- 16 Sink Strainer Assembly
 - BODY: Buffed and polished chrome-plated brass
 - BASKET: Stainless steel post

PRODUCT SELECTOR

16 DEEP LOCKING CUP SINK BASKET STRAINER				
✓	Product Number	Description	Carton Quantity	Carton Weight
	16	Locking Cup Sink Basket Strainer	24	19 lbs.
	16BN	Locking Cup Sink Basket Strainer with Brass Nuts	24	20 lbs.
	16T	Locking Cup Sink Basket Strainer with 4" Chrome Plated Tailpiece	24	24 lbs.
	4201-3-3	Replacement Basket Strainer for 16	1	.25 lbs.
	4202-2-3	Replacement Rubber Washer for 16	1	.04 lbs.

Data is subject to manufacturing tolerances.



Access BIM/Revit content through www.oatey.com