



TRUE BLUE® BATH WASTE FULL KIT W/ TEST KIT

Job Name _____	Item # _____
Location _____	
Engineer _____	Contractor _____
PO # _____	Tag _____
Representative _____	

SPECIFICATIONS

The Dearborn True Blue Bath Waste shall be used in commercial and residential applications requiring a bath waste and overflow drain with integrated test features. Overflow and drain elbow components shall come factory preassembled for added convenience. Overflow gasket shall be made of a high memory foamed rubber. Drain gasket shall be notched and undercut in order to wrap around drain elbow and lock into place. This will prevent gasket from being knocked off during installation and remain secured to drain elbow regardless of orientation. Test plugs shall be quarter turn installation and must be removable and reusable. Overflow test plug shall be used to install the designer trim veneer with a quarter turn and will not require additional tools or sealants for installation. Faceplate installation shall not require additional tools or screws, symmetrical design will eliminate the need for precise alignment.

APPROVALS & LISTINGS

ASME A112.18.2-2015/CSA B125.2-15



Uniform Plumbing Code (UPC)



National Plumbing Code of Canada



International Plumbing Code (IPC)



ASME A112.18.2-2015/CSA B125.2-15

Listed with Massachusetts Board of Plumbing

FEATURES AND MATERIALS

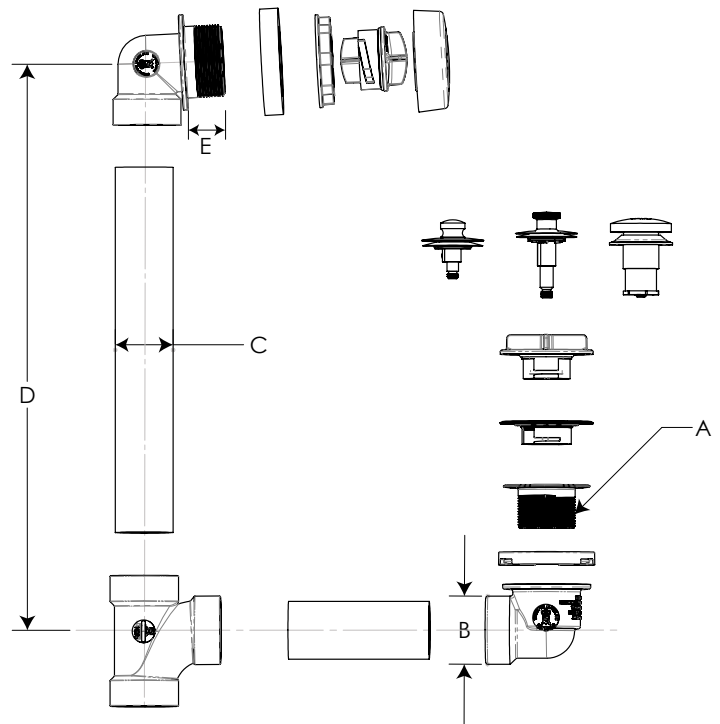
Finish Trim	Tool-Free, Screw-Free Installation
Test Plugs	Reusable, Quarter Turn Tool-Free Installation
Drain Gasket	Locking Rubber Gasket
Overflow Gasket	High Memory Foamed Rubber
Spud	Chrome Plated Brass

PERFORMANCE SPECIFICATIONS

Test Plug Rating	40 FT Head, 17 PSI
Flow Rate	10.95 GPM

DIMENSIONS

[A]:	Drain / Spud Thread	1-1/2" – 11.5 NPSM
[B]:	Inner Diameter	1-1/2" SCH 40 Pipe
[C]:	Pipe Diameter	1-1/2"
[D]:	Overflow Height	14-1/4"
[E]:	Overflow Depth	1.236"



Access BIM/Revit content through www.oatey.com



TRUE BLUE® BATH WASTE FULL KIT W/ TEST KIT

PRODUCT SELECTOR

TRUE BLUE® BATH WASTE FULL KIT W/TEST						
✓	Product Number	Material	Stopper Style	Finish	Drain Spud Material	Test Plugs Included
	A9840CP	ABS	PUSH & PULL	CHROME	CHROME PLATED BRASS	YES
	A9840BN	ABS	PUSH & PULL	BRUSHED NICKEL	CHROME PLATED BRASS	YES
	A9840RB	ABS	PUSH & PULL	OIL RUBBED BRONZE	CHROME PLATED BRASS	YES
	A9850CP	ABS	TOUCH TOE	CHROME	CHROME PLATED BRASS	YES
	A9850BN	ABS	TOUCH TOE	BRUSHED NICKEL	CHROME PLATED BRASS	YES
	A9850RB	ABS	TOUCH TOE	OIL RUBBED BRONZE	CHROME PLATED BRASS	YES
	A9860CP	ABS	UNI-LIFT	CHROME	CHROME PLATED BRASS	YES
	A9860BN	ABS	UNI-LIFT	BRUSHED NICKEL	CHROME PLATED BRASS	YES
	A9860RB	ABS	UNI-LIFT	OIL RUBBED BRONZE	CHROME PLATED BRASS	YES
	P9840CP	PVC	PUSH & PULL	CHROME	CHROME PLATED BRASS	YES
	P9840BN	PVC	PUSH & PULL	BRUSHED NICKEL	CHROME PLATED BRASS	YES
	P9840RB	PVC	PUSH & PULL	OIL RUBBED BRONZE	CHROME PLATED BRASS	YES
	P9850CP	PVC	TOUCH TOE	CHROME	CHROME PLATED BRASS	YES
	P9850BN	PVC	TOUCH TOE	BRUSHED NICKEL	CHROME PLATED BRASS	YES
	P9850RB	PVC	TOUCH TOE	OIL RUBBED BRONZE	CHROME PLATED BRASS	YES
	P9860CP	PVC	UNI-LIFT	CHROME	CHROME PLATED BRASS	YES
	P9860BN	PVC	UNI-LIFT	BRUSHED NICKEL	CHROME PLATED BRASS	YES
	P9860RB	PVC	UNI-LIFT	OIL RUBBED BRONZE	CHROME PLATED BRASS	YES

TRUE BLUE® BATH WASTE TRIM KIT							
✓	Product Number	Stopper Style	Finish	✓	Product Number	Stopper Style	Finish
	K97WH	TOUCH TOE	WHITE		K98BG	UNI-LIFT	BRUSHED GOLD*
	K97MB	TOUCH TOE	MATTE BLACK		K98BGPS	UNI-LIFT	BRUSHED GOLD*
	K97CP	TOUCH TOE	CHROME		K98CB	UNI-LIFT	CHAMPAGNE BRONZE
	K97BN	TOUCH TOE	BRUSHED NICKEL		K98CBPS	UNI-LIFT	CHAMPAGNE BRONZE
	K97RB	TOUCH TOE	OIL RUBBED BRONZE		K99WH	PUSH & PULL	WHITE
	K97BG	TOUCH TOE	BRUSHED GOLD*		K99MB	PUSH & PULL	MATTE BLACK
	K97BGPS	TOUCH TOE	BRUSHED GOLD*		K99CP	PUSH & PULL	CHROME
	K97CB	TOUCH TOE	CHAMPAGNE BRONZE		K99BN	PUSH & PULL	BRUSHED NICKEL
	K97CBPS	TOUCH TOE	CHAMPAGNE BRONZE		K99RB	PUSH & PULL	OIL RUBBED BRONZE
	K98WH	UNI-LIFT	WHITE		K99BG	PUSH & PULL	BRUSHED GOLD*
	K98MB	UNI-LIFT	MATTE BLACK		K99BGPS	PUSH & PULL	BRUSHED GOLD*
	K98CP	UNI-LIFT	CHROME		K99CB	PUSH & PULL	CHAMPAGNE BRONZE
	K98BN	UNI-LIFT	BRUSHED NICKEL		K99CBPS	PUSH & PULL	CHAMPAGNE BRONZE
	K98RB	UNI-LIFT	OIL RUBBED BRONZE				

*PVD Finish

Access BIM/Revit content through www.oatey.com