



Job Name _____	Item # _____
Location _____	
Engineer _____	Contractor _____
PO # _____	Tag _____
Representative _____	

1-1/2 IN. WHITE PLASTIC SINK DRAIN P-TRAP WITH J-BEND TECHNICAL SPECIFICATION

SPECIFICATIONS

The 1-1/2 in. Plastic P-Trap is made using durable polypropylene plastic and is ideal for tubular drain applications. Easy to install. Includes a leak proof washer. Oatey products have earned the trust of plumbing professionals for over 100 years.

APPROVALS AND LISTINGS

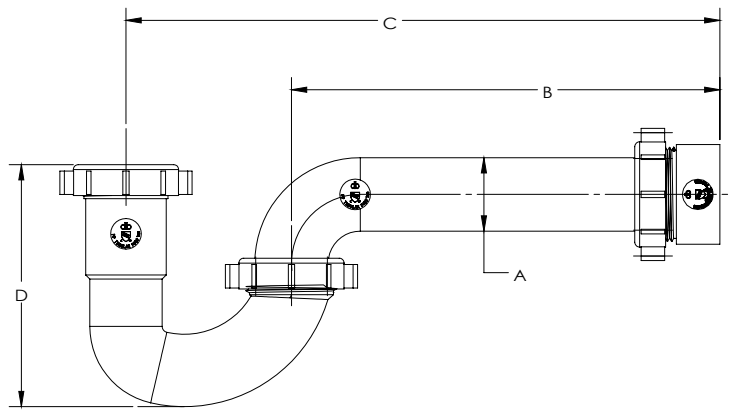
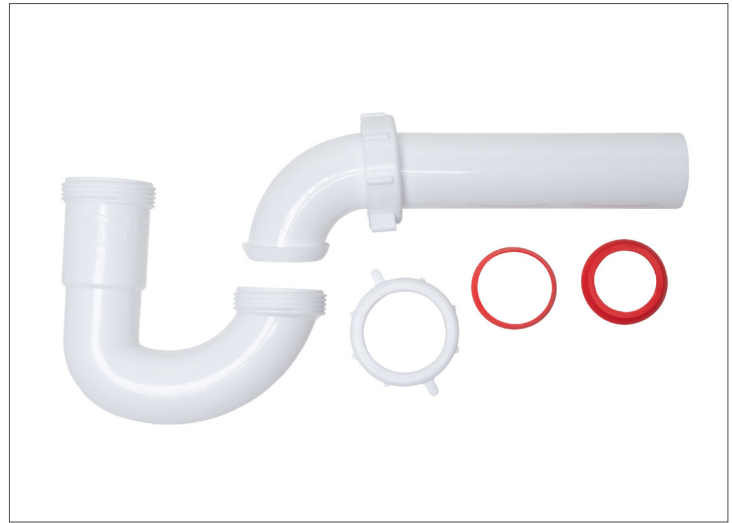


DIMENSIONS

[A]:	1.50"
[B]:	8.75"
[C]:	12.0"
[D]:	4.95"

PRODUCT SELECTOR

✓	Product Number	Description	Ctn. Wt.	Ctn. Qty.
	HDC9704B	1-1/2 in. White Plastic Sink Drain P-Trap with J-Bend	5.75 lbs.	20



Access BIM/Revit content through www.oatey.com