



Job Name _____	Item # _____
Location _____	
Engineer _____	Contractor _____
PO # _____	Tag _____
Representative _____	

1-1/4 IN. WHITE PLASTIC SINK DRAIN P-TRAP WITH J-BEND TECHNICAL SPECIFICATION

SPECIFICATIONS

1-1/4 in. Plastic P-Trap is made using durable polypropylene plastic. Ideal for tubular drain applications. Easy to install. Oatey products have earned the trust of plumbing professionals for over 100 years.

APPROVALS AND LISTINGS

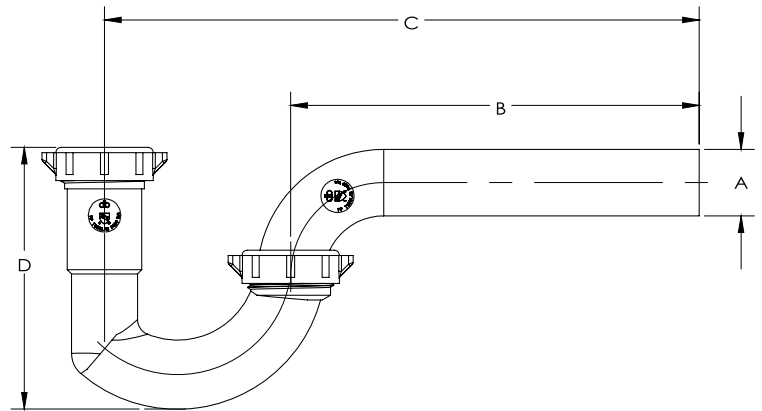


DIMENSIONS

[A]:	1.25"
[B]:	7.50"
[C]:	11.0"
[D]:	5.0"

PRODUCT SELECTOR

✓	Product Number	Description	Ctn. Wt.	Ctn. Qty.
	HDC9700B	1-1/4 in. White Plastic Sink Drain P-Trap with J-Bend	3.75 lbs.	20



Access BIM/Revit content through www.oatey.com