



Job Name _____	Item # _____
Location _____	
Engineer _____	Contractor _____
PO # _____	Tag _____
Representative _____	

1.5 IN. X 8-3/4 IN. BRANCH TAILPIECE PLASTIC SLIP JOINT TECHNICAL SPECIFICATION

SPECIFICATIONS

Securely connect your dishwasher to a drainage system with the Plastic Branch Tailpiece. Made of durable polypropylene material, it has a maximum working pressure of 10 psi. Features a slip joint or direct connection for a reliable, long-lasting drainage solution. Oatey products have earned the trust of plumbing professionals for over 100 years.

APPROVALS AND LISTINGS

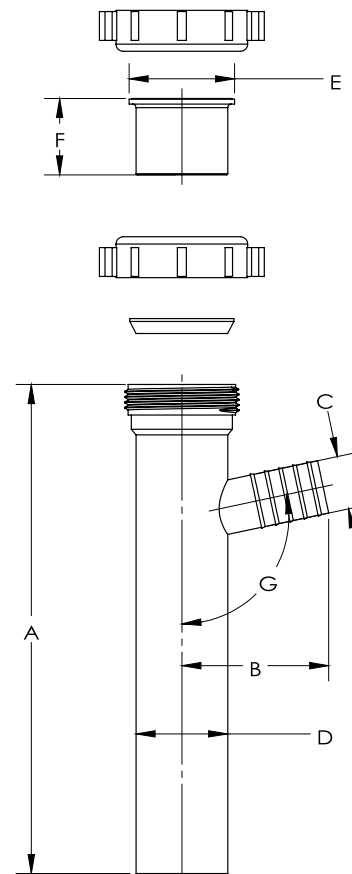


DIMENSIONS

[A]:	8"
[B]:	2.4"
[C]:	0.87"
[D]:	1.5"
[E]:	1.72"
[F]:	1.25"
[G]:	102°

PRODUCT SELECTOR

✓	Product Number	Description	Ctn. Wt.	Ctn. Qty.
	HDC9698	1.5 in. x 8-3/4 in. Branch Tailpiece Plastic Slip Joint	1.425 lbs.	12



Access BIM/Revit content through www.oatey.com