



designline™

Job Name _____	Item # _____
Location _____	
Engineer _____	Contractor _____
PO # _____	Tag _____
Representative _____	

DESIGNLINE CHROME-PLATED PLASTIC GRID DRAIN WITH OVERFLOW TECHNICAL SPECIFICATION

SPECIFICATIONS

Designline Chrome-Plated Plastic Grid Drain is designed for use in bathroom sinks. This lavatory sink drain has a non-closing design that easily allows water to flow into the drain. The classic polished chrome finish will complement your existing bathroom fixtures. Designed for sinks with an overflow opening. Oatey products have earned the trust of plumbing professionals for over 100 years.

APPROVALS AND LISTINGS

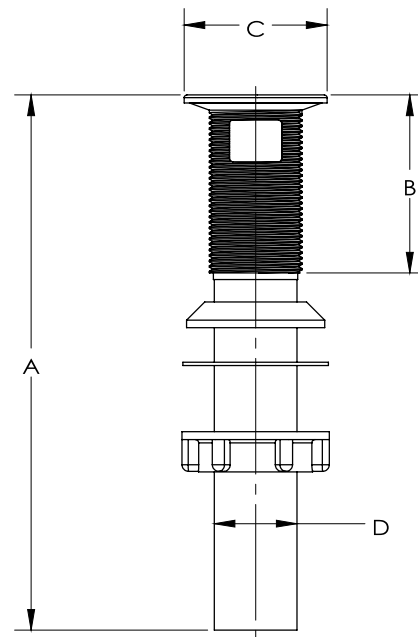


DIMENSIONS

[A]:	8.09"
[B]:	2.69"
[C]:	2.16"
[D]:	1.25"

PRODUCT SELECTOR

✓	Product Number	Description	Ctn. Wt.	Ctn. Qty.
	HDC9690	Designline Chrome-Plated Plastic Grid Drain with Overflow	1.45 lbs.	4



Access BIM/Revit content through www.oatey.com