



Job Name _____	Item # _____
Location _____	
Engineer _____	Contractor _____
PO # _____	Tag _____
Representative _____	

1-1/4 IN. FORM-N-FIT FLEXIBLE P-TRAP TECHNICAL SPECIFICATION

SPECIFICATIONS

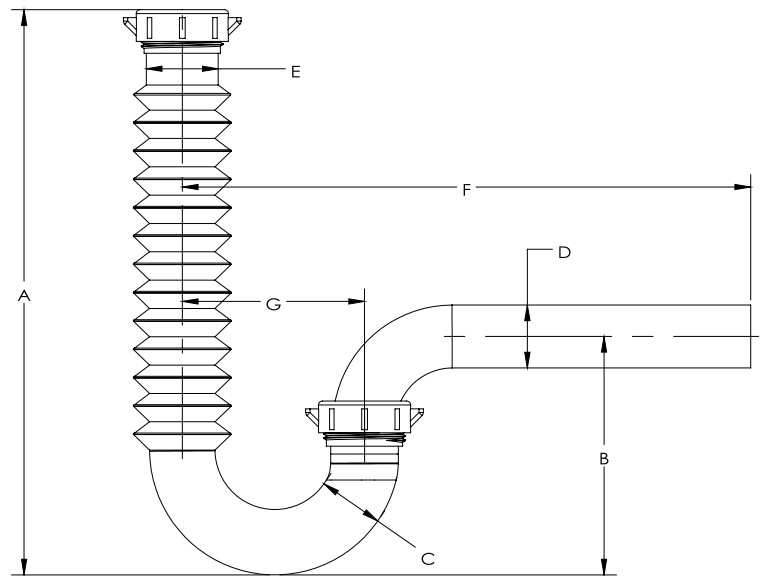
1-1/4 in. White Form-N-Fit Flexible P-Trap is made of durable polypropylene material for long-lasting use. The accordion-style design bends, compresses, expands and extends up to 6 in. for an easier installation. Oatey products have earned the trust of plumbing professionals for over 100 years.

DIMENSIONS

[A]:	11.2"
[B]:	4.74"
[C]:	1.3"
[D]:	1.25"
[E]:	1.43"
[F]:	11.3"
[G]:	3.62"

PRODUCT SELECTOR

✓	Product Number	Description	Ctn. Wt.	Ctn. Qty.
	HDC9689	1-1/4 in. Form-N-Fit Flexible P-Trap	3.18 lbs.	12



Access BIM/Revit content through www.oatey.com