



Job Name _____ Item # _____
 Location _____
 Engineer _____ Contractor _____
 PO # _____ Tag _____
 Representative _____

1-1/2 IN. WHITE PLASTIC SINK DRAIN OUTLET WASTE SLIP-JOINT TEE TECHNICAL SPECIFICATION

SPECIFICATIONS

The 1-1/2 in. Plastic Baffle Tee for Slip Joint End Outlet Waste is for use in tubular drain applications. The outlet waste features a slip joint connection. Oatey products have earned the trust of plumbing professionals for over 100 years.

APPROVALS AND LISTINGS

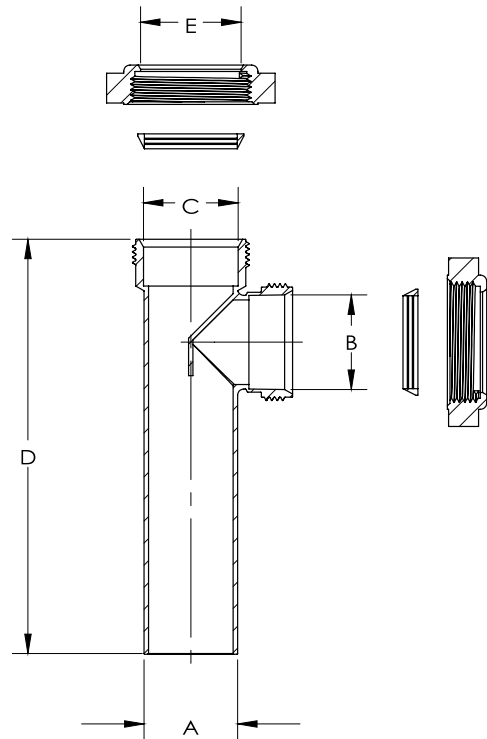


DIMENSIONS

[A]:	1.500"
[B]:	1.515"
[C]:	1.515"
[D]:	6.64"
[E]:	1.61"

PRODUCT SELECTOR

✓	Product Number	Description	Ctn. Wt.	Ctn. Qty.
	HDC9185	1-1/2 in. White Plastic Sink Drain Outlet Waste Slip-Joint Tee	1.1 lbs.	8



Access BIM/Revit content through www.oatey.com