



Job Name _____	Item # _____
Location _____	
Engineer _____	Contractor _____
PO # _____	Tag _____
Representative _____	

1-1/2 IN. WHITE PLASTIC SLIP JOINT OR DIRECT CONNECT SINK DRAIN CENTER OUTLET WASTE TECHNICAL SPECIFICATION

SPECIFICATIONS

The Plastic Center Outlet Waste with Baffle Tee is for installation of tubular drain applications in double bowl kitchen sinks. Features durable polypropylene plastic construction for long-lasting use. Includes everything you will need for an installation made simple with the option for slip joint or direct connection. Oatey products have earned the trust of plumbing professionals for over 100 years.

APPROVALS AND LISTINGS

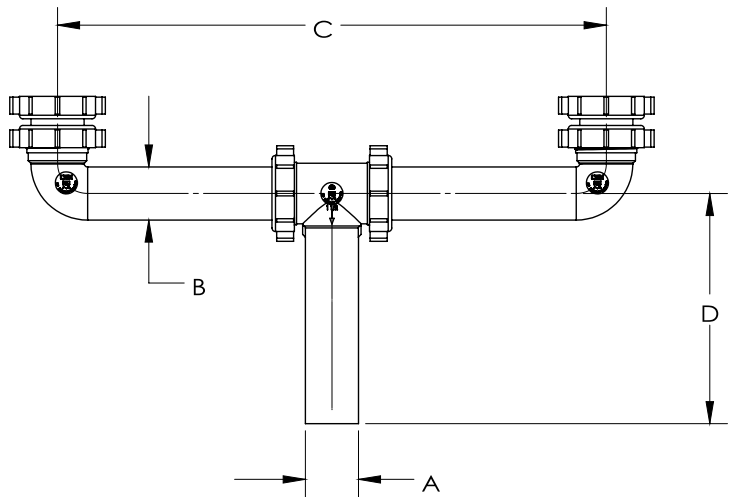
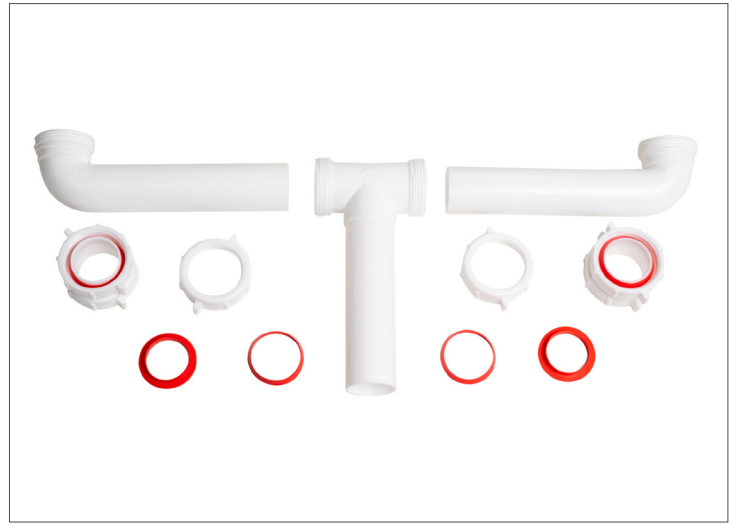


DIMENSIONS

[A]:	1.50"
[B]:	1.50"
[C]:	15.5"
[D]:	6.50"

PRODUCT SELECTOR

✓	Product Number	Description	Ctn. Wt.	Ctn. Qty.
	HDC9123AB	1-1/2 in. White Plastic Slip Joint or Direct Connect Sink Drain Center Outlet Waste	4.1 lbs.	8



Access BIM/Revit content through www.oatey.com