



Job Name _____	Item # _____
Location _____	
Engineer _____	Contractor _____
PO # _____	Tag _____
Representative _____	

# 1-1/2 IN. WHITE PLASTIC THREADED PVC SINK DRAIN PIPE ADAPTER WITH SLIP-JOINT NUT AND WASHER TECHNICAL SPECIFICATION

## SPECIFICATIONS

Use this 1-1/2 in. PVC Threaded Trap Adapter to connect your sink drainage to the drain pipe that extends through the wall or floor. Features slip joint inlet and 1-1/2 in. Schedule 40 solvent weld outlet. It is ideal for bathroom sink, kitchen sink and laundry applications. This adapter includes a leak-proof washer and slip nut. Oatey products have earned the trust of plumbing professionals for over 100 years.

## APPROVALS AND LISTINGS

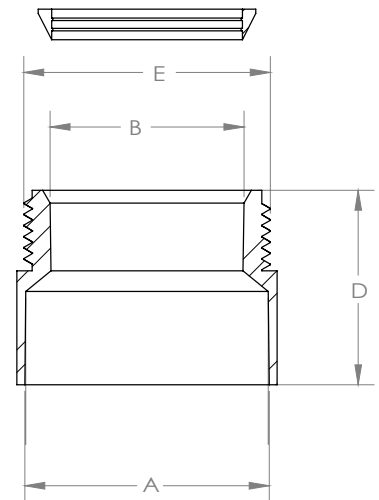
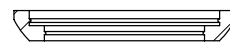
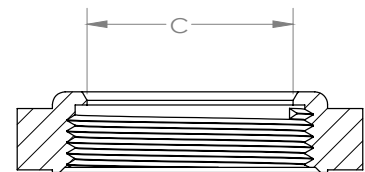


## DIMENSIONS

[A]:	1.91"
[B]:	1.515"
[C]:	1.61"
[D]:	1.52"
[E]:	1 1/2-11.5 NPSM

## PRODUCT SELECTOR

✓	Product Number	Description	Ctn. Wt.	Ctn. Qty.
	HDC9000A	1-1/2 in. White Plastic Threaded PVC Sink Drain Pipe Adapter with Slip-Joint Nut and Washer	1.3 lbs.	16



Access BIM/Revit content through [www.oatey.com](http://www.oatey.com)