



Job Name _____	Item # _____
Location _____	
Engineer _____	Contractor _____
PO # _____	Tag _____
Representative _____	

# 1-1/2 IN. X 8 IN. CHROME PLATED BRASS SINK DRAIN TAILPIECE WITH 5/8 IN. BRANCH TECHNICAL SPECIFICATION

## SPECIFICATIONS

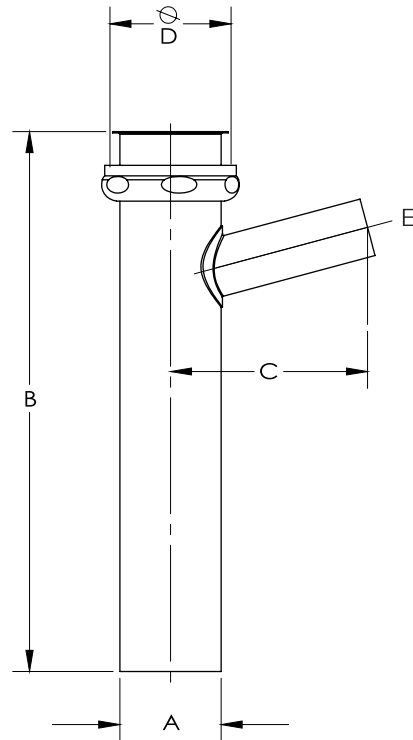
1-1/2 in. x 8 in. Brass Plain-End Branch Dishwasher Tailpiece can be used to connect a dishwasher discharge hose to a kitchen sink drain. Includes a 1-year warranty. The brass construction provides durability, while the chrome plating offers a sleek look. Dearborn is known for providing superior quality plumbing products designed with the plumber in mind.

## DIMENSIONS

[A]:	1.50"
[B]:	8.0"
[C]:	2.92"
[D]:	1 1/2-11.5 NPSM
[E]:	0.625"

## PRODUCT SELECTOR

✓	Product Number	Description	Ctn. Wt.	Ctn. Qty.
	HDC814B-2	1-1/2 in. x 8 in. 24-Gauge Chrome Plated Brass Sink Drain Tailpiece with 5/8 in. Branch	4.05 lbs.	12



Access BIM/Revit content through [www.oatey.com](http://www.oatey.com)