



Job Name _____	Item # _____
Location _____	
Engineer _____	Contractor _____
PO # _____	Tag _____
Representative _____	

1-1/2 IN. SINK DRAIN PIPE ZINC SLIP-JOINT NUT WITH RUBBER WASHER TECHNICAL SPECIFICATION

SPECIFICATIONS

Make tubular drain applications a breeze with the 1-1/2 in. Slip Joint Zinc Nut with Washer. The nut features die-cast zinc construction with chrome plating for a long life. The included washer is made of rubber for durability. Oatey products have earned the trust of plumbing professionals for over 100 years.

APPROVALS AND LISTINGS

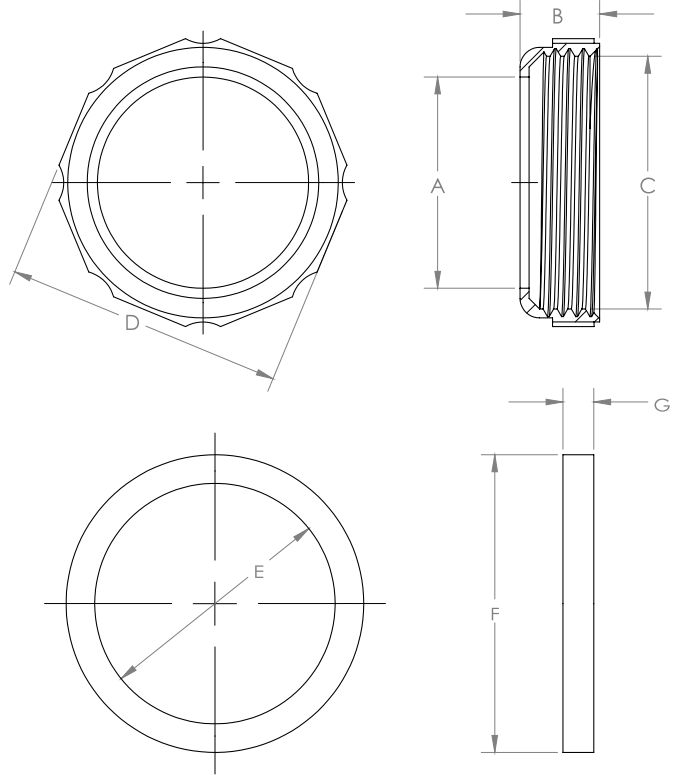
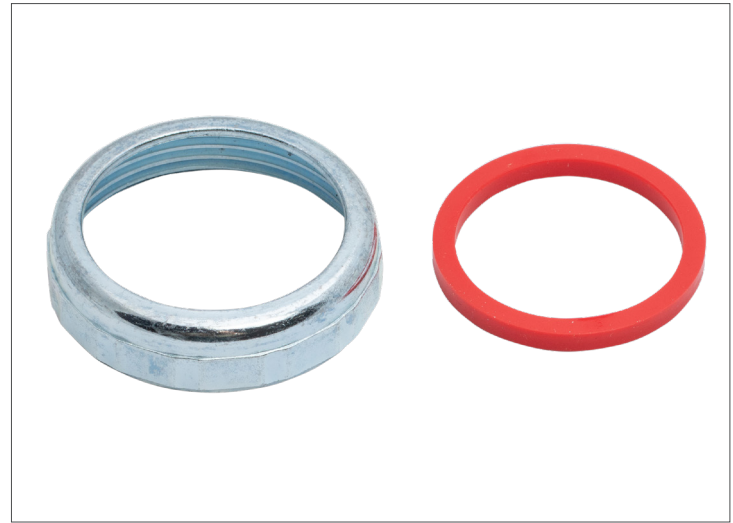


DIMENSIONS

[A]:	1.535"
[B]:	0.49"
[C]:	1-1/2-11.5 NPSM
[D]:	1.97"
[E]:	1.36"
[F]:	1.62"
[G]:	0.14"

PRODUCT SELECTOR

✓	Product Number	Description	Ctn. Wt.	Ctn. Qty.
	HDC8033C	1-1/2 in. Sink Drain Pipe Zinc Slip-Joint Nut with Rubber Washer	0.8 lbs.	16



Access BIM/Revit content through www.oatey.com