



designline™

Job Name _____	Item # _____
Location _____	
Engineer _____	Contractor _____
PO # _____	Tag _____
Representative _____	

1-1/4 IN. POP-UP ASSEMBLY WITH OVERFLOW TECHNICAL SPECIFICATION

SPECIFICATIONS

Designed for tubular drains, this lift rod style pop-up assembly is ideal for lavatory sinks with an overflow. Available in chrome and brushed nickel finishes to coordinate with most faucets. This kit comes equipped with washers and nuts for a simple and convenient installation. Designed for sinks with an overflow opening. Oatey products have earned the trust of plumbing professionals for over 100 years.

APPROVALS AND LISTINGS

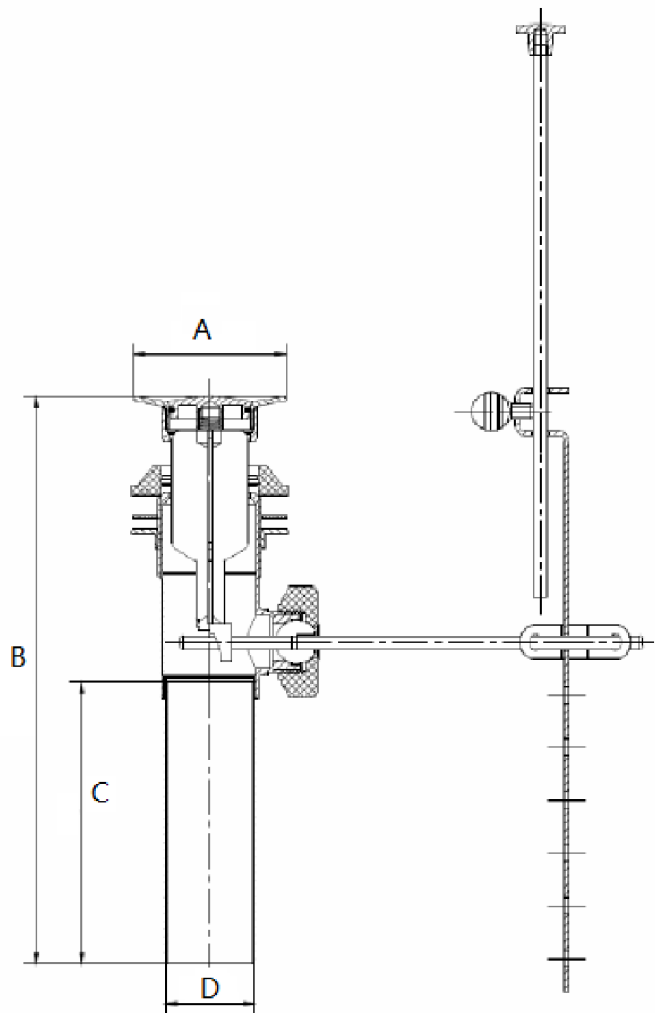


DIMENSIONS

[A]:	2.13"
[B]:	8.07"
[C]:	4.0"
[D]:	1.25"

PRODUCT SELECTOR

✓	Product Number	Description	Ctn. Wt.	Ctn. Qty.
	HDC759B-1	1-1/4 in. Chrome Finish Pop-Up Assembly with Overflow	3.4 lbs.	4
	HDC759BNB-3	1-1/4 in. Brushed Nickel Finish Pop-Up Assembly with Overflow	3.475 lbs.	4



Access BIM/Revit content through www.oatey.com