



designline™

Job Name _____	Item # _____
Location _____	
Engineer _____	Contractor _____
PO # _____	Tag _____
Representative _____	

1-1/4 IN. CHROME-PLATED PLASTIC TAILPIECE WITH SINK DRAIN STOPPER AND OVERFLOW PLUG TECHNICAL SPECIFICATION

SPECIFICATIONS

Plastic Basin Plug with Stopper offers a 1-1/4 in. to 2 in. fitting range for plumbing applications. Basin plug includes a stopper and a metal ring for your convenience. Plug comes in a chrome finish. Designed for sinks with an overflow opening. Oatey products have earned the trust of plumbing professionals for over 100 years.

APPROVALS AND LISTINGS

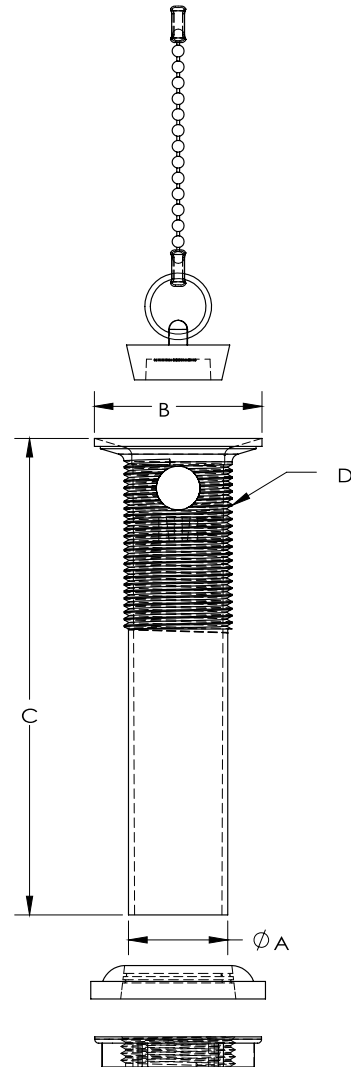


DIMENSIONS

[A]:	1.25"
[B]:	2.11"
[C]:	6"
[D]:	1-3/8" -11.5 UNS

PRODUCT SELECTOR

✓	Product Number	Description	Ctn. Wt.	Ctn. Qty.
	HDC757-1	1-1/4 in. Chrome-Plated Plastic Tailpiece with Sink Drain Stopper with Overflow	0.575 lbs.	4



Access BIM/Revit content through www.oatey.com