



designline™

Job Name _____	Item # _____
Location _____	
Engineer _____	Contractor _____
PO # _____	Tag _____
Representative _____	

# 1-1/4 IN. CHROME-PLATED PLASTIC SINK DRAIN POP-UP DRAIN ASSEMBLY WITH OVERFLOW TECHNICAL SPECIFICATION

## SPECIFICATIONS

Designed for tubular drains, this pop-up assembly is a single piece that is ideal for lavatory sinks and features an elegant chrome finish. This kit comes equipped with washers and nuts for a simple and convenient installation. Designed for sinks with an overflow opening. Oatey products have earned the trust of plumbing professionals for over 100 years.

## APPROVALS AND LISTINGS

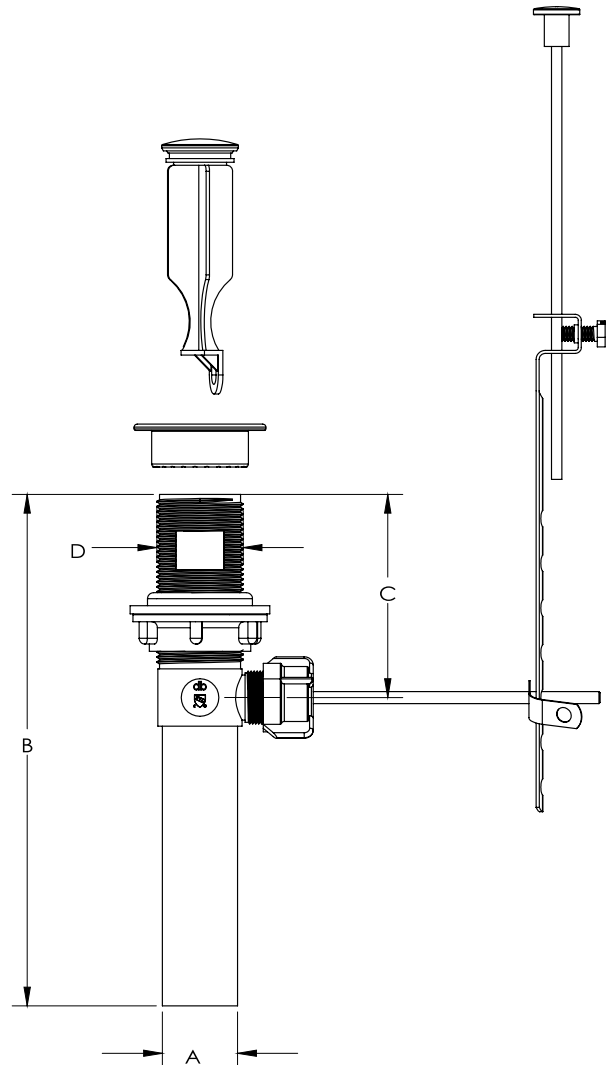


## DIMENSIONS

[A]:	1.25"
[B]:	8.5"
[C]:	3.38"
[D]:	1-7/16"-12UN-2A

## PRODUCT SELECTOR

✓	Product Number	Description	Ctn. Wt.	Ctn. Qty.
	HDC756-1	1-1/4 in. Chrome-Plated Plastic Sink Drain Pop-Up Drain Assembly with Overflow	1.875 lbs.	4



Access BIM/Revit content through [www.oatey.com](http://www.oatey.com)