



Job Name _____	Item # _____
Location _____	
Engineer _____	Contractor _____
PO # _____	Tag _____
Representative _____	

# NY CODE 1-1/2 IN. UNFINISHED CAST BRASS SINK DRAIN SINK TRAP TECHNICAL SPECIFICATION

## SPECIFICATIONS

1-1/4 in. x 1-1/2 in. Brass Sink Trap in Rough Brass is designed for use in tubular drain applications. The sink trap features a working temperature range of 0° to 120°F and a 1-1/2 in. IPS outlet. A cleanout is included. Meets NY code. Dearborn is known for providing superior quality plumbing products designed with the plumber in mind.

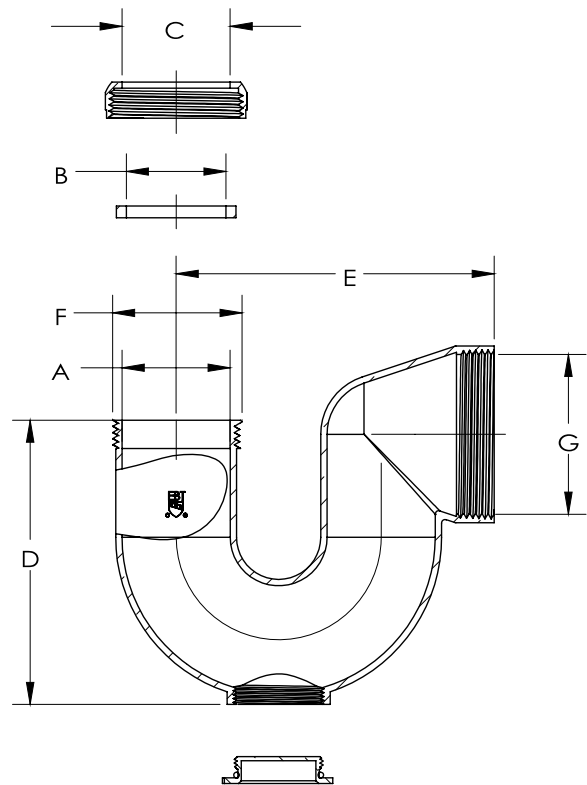
## DIMENSIONS

[A]:	1.528"
[B]:	1.41"
[C]:	1.528"
[D]:	4.0"
[E]:	4.5"
[F]:	1 1/2-11.5 NPSM
[G]:	2-11.5 NPT



## PRODUCT SELECTOR

✓	Product Number	Description	Ctn. Wt.	Ctn. Qty.
	HDC752-3	NY Code 1-1/2 in. Unfinished Cast Brass Sink Drain Sink Trap	7.7625 lbs.	6



Access BIM/Revit content through [www.oatey.com](http://www.oatey.com)