



Job Name _____	Item # _____
Location _____	
Engineer _____	Contractor _____
PO # _____	Tag _____
Representative _____	

1-1/2 IN. CHROME-PLATED PLASTIC IRON PIPE SIZE SPLIT FLOOR & CEILING PLATE TECHNICAL SPECIFICATION

SPECIFICATIONS

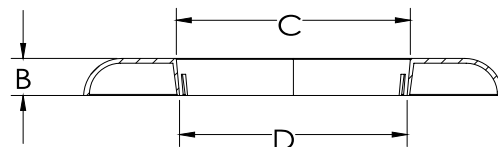
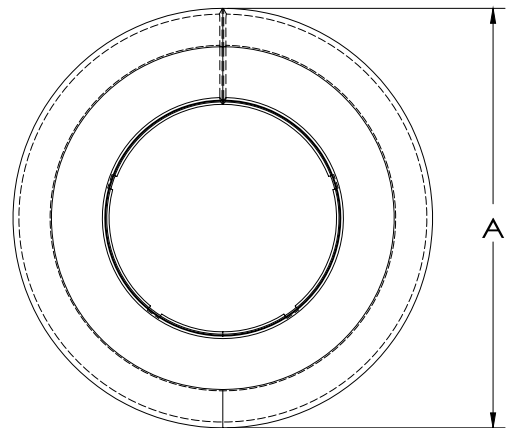
The 1-1/2 in. Iron Pipe Size Split Plastic Floor & Ceiling Plate features an elegant chrome finish and is designed for use with 1-1/2 in. IPS pipe. Oatey products have earned the trust of plumbing professionals for over 100 years.

DIMENSIONS

[A]:	3.815"
[B]:	0.33"
[C]:	2.0"
[D]:	1.88"

PRODUCT SELECTOR

✓	Product Number	Description	Ctn. Wt.	Ctn. Qty.
	HDC5369	1-1/2 in. Chrome-Plated Plastic Iron Pipe Size Split Floor & Ceiling Plate	0.225 lbs.	12



Access BIM/Revit content through www.oatey.com