



Job Name _____	Item # _____
Location _____	
Engineer _____	Contractor _____
PO # _____	Tag _____
Representative _____	

## 1/2 IN. COPPER TUBE SIZE SPLIT FLOOR & CEILING PLATE IN WHITE PLASTIC TECHNICAL SPECIFICATION

### SPECIFICATIONS

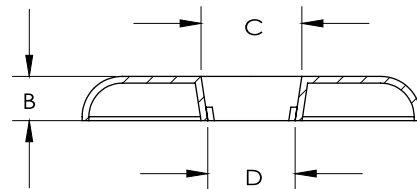
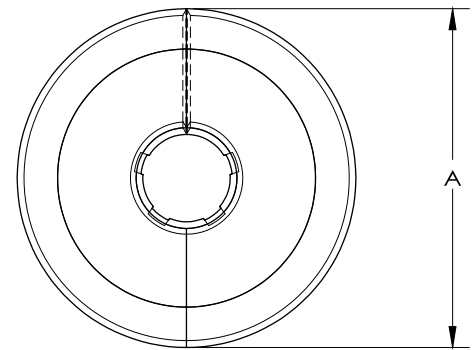
1/2 in. Copper Tube Split Floor & Ceiling Plate helps cover pipe openings in your floor or ceiling. Its split ring design ensures easy installation and its durable plastic construction offers utility while adding an elite look. Oatey products have earned the trust of plumbing professionals for over 100 years.

### DIMENSIONS

[A]:	2.52"
[B]:	0.33"
[C]:	0.75"
[D]:	0.65"

### PRODUCT SELECTOR

✓	Product Number	Description	Ctn. Wt.	Ctn. Qty.
	HDC5365	1/2 in. Copper Tube Size Split Floor & Ceiling Plate in White Plastic	0.125 lbs.	20



Access BIM/Revit content through [www.oatey.com](http://www.oatey.com)