



Job Name _____	Item # _____
Location _____	
Engineer _____	Contractor _____
PO # _____	Tag _____
Representative _____	

3/8 IN. CHROME-PLATED STEEL IRON PIPE SIZE HINGED FLOOR & CEILING PLATE TECHNICAL SPECIFICATION

SPECIFICATIONS

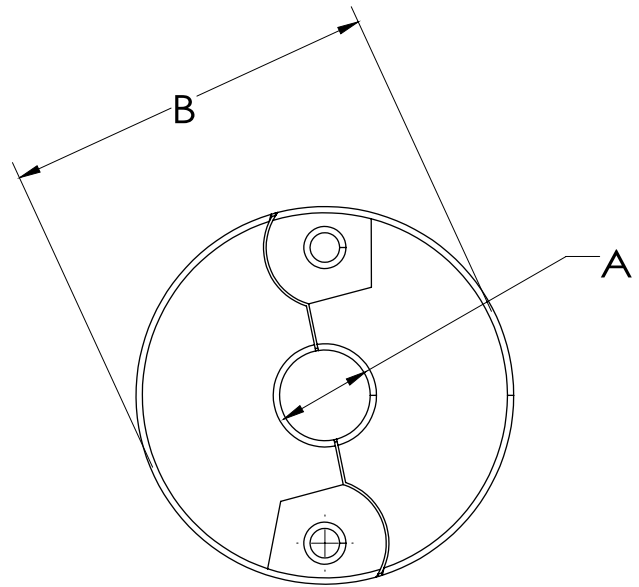
The 3/8 in. Hinged Floor & Ceiling Plate helps cover pipe openings and is sized to fit 3/8 in. IPS piping. Its chrome-plated finish and low-patterned design provide a decorative touch. Oatey products have earned the trust of plumbing professionals for over 100 years.

DIMENSIONS

[A]:	0.675"
[B]:	2.81"
Thickness	0.018"

PRODUCT SELECTOR

✓	Product Number	Description	Ctn. Wt.	Ctn. Qty.
	HDC5350C	3/8 in. Chrome-Plated Steel Iron Pipe Size Hinged Floor & Ceiling Plate	0.75 lbs.	20



Access BIM/Revit content through www.oatey.com