



Job Name _____	Item # _____
Location _____	
Engineer _____	Contractor _____
PO # _____	Tag _____
Representative _____	

1/2 IN. CHROME-PLATED STEEL COPPER TUBE SIZE HINGED FLOOR & CEILING PLATE TECHNICAL SPECIFICATION

SPECIFICATIONS

The 1/2 in. Hinged Floor & Ceiling Plate helps cover pipe openings and is sized to fit 1/2 in. CTS piping. Its chrome-plated finish and low-patterned design provide a decorative touch. Oatey products have earned the trust of plumbing professionals for over 100 years.

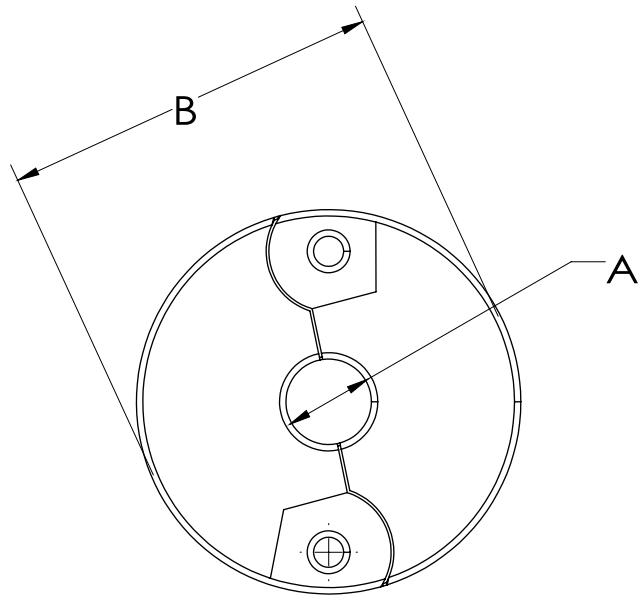
DIMENSIONS

[A:]	0.625"
[B:]	2.81"
Thickness	0.018"



PRODUCT SELECTOR

✓	Product Number	Description	Ctn. Wt.	Ctn. Qty.
	HDC5340C	1/2 in. Chrome-Plated Steel Copper Tube Size Hinged Floor & Ceiling Plate	0.75 lbs.	20



Access BIM/Revit content through www.oatey.com