



Job Name _____	Item # _____
Location _____	
Engineer _____	Contractor _____
PO # _____	Tag _____
Representative _____	

1-1/2 IN. CHROME-PLATED BRASS J-BEND TECHNICAL SPECIFICATION

SPECIFICATIONS

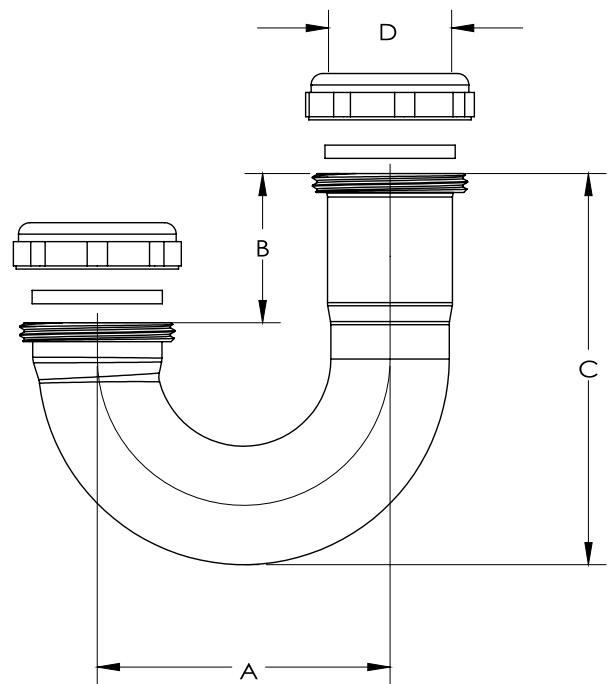
1-1/2 in. Brass J-Bend is designed for use with kitchen sink drain traps. The brass construction provides durability, while the chrome plating offers a sleek look. Maximum working pressure of 15 psi. Dearborn is known for providing superior quality plumbing products designed with the plumber in mind.

DIMENSIONS

[A]:	3.33"
[B]:	1.65"
[C]:	4.53"
[D]:	1.535"

PRODUCT SELECTOR

✓	Product Number	Description	Ctn. Wt.	Ctn. Qty.
	HDC2651-1	1-1/2 in. Chrome-Plated 22-Gauge Brass J-Bend	2.8 lbs.	8



Access BIM/Revit content through www.oatey.com