



PLASTIC TUBULAR 90° SLIP JOINT ELBOW TECHNICAL SPECIFICATION

Job Name _____	Item # _____
Location _____	
Engineer _____	Contractor _____
PO # _____	Tag _____
Representative _____	

SPECIFICATIONS

Dearborn Brass Plastic Tubular Slip Joint Elbow is designed for use in tubular drain applications.

DESCRIPTION

- Made of white polypropylene plastic
- Plastic Tubular Slip Joint Elbow
 - (1) Elbow
 - (2) Slip Joint Nuts
 - (1/2) Washers

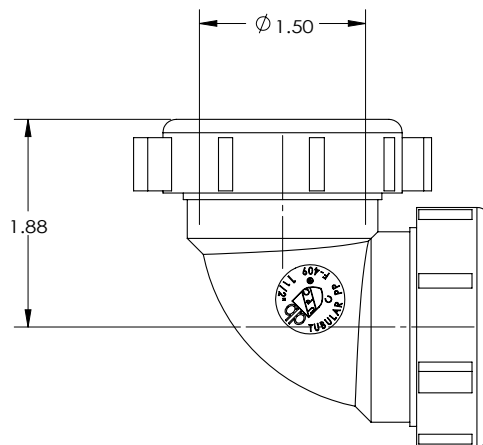
APPROVALS & LISTINGS

- Meets ASTM F 409
- IAPMO Listed



PRODUCT SELECTOR

PLASTIC TUBULAR 90° SLIP JOINT ELBOW			
✓	Product Number	Description	Carton Quantity
	P9675	1-1/2" 90° Slip Joint Elbow – White	25
	P9675B	1-1/2" 90° Slip Joint/ Ground Joint Elbow - White	25



Data is subject to manufacturing tolerances.

Access BIM/Revit content through www.oatey.com