



# BRASS TUBULAR POP-UP ASSEMBLY TECHNICAL SPECIFICATION

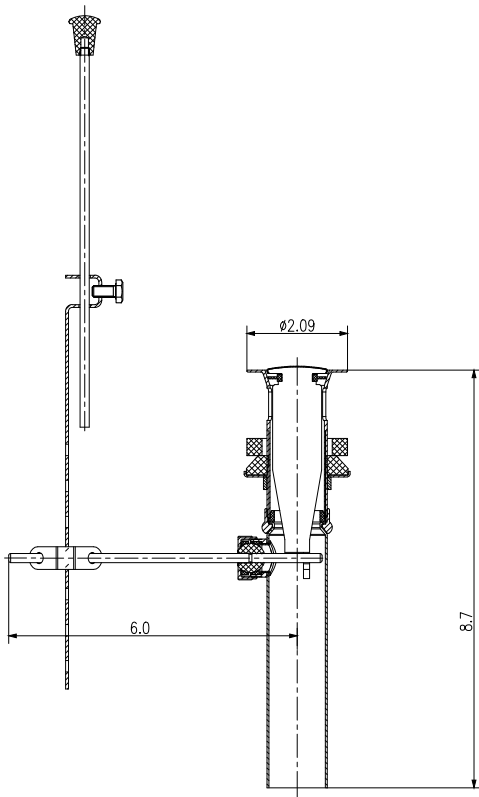
Job Name _____	Item # _____
Location _____	
Engineer _____	Contractor _____
PO # _____	Tag _____
Representative _____	

## SPECIFICATIONS

Dearborn One & Two Piece Pop-Up Assemblies are designed for use in tubular drain applications with lavatory sinks. Available in Chrome or Polished Brass Finish.

## DESCRIPTION

- Chrome or Polished Brass Finish
- 20 Gauge Brass
- One and Two Piece Assemblies



## PRODUCT SELECTOR

DEARBORN TUBULAR POP-UP ASSEMBLIES				
✓	Product Number	Description	Carton Quantity	Carton Weight (lbs)
	758-1	1-1/4" Pop-Up Assembly - 2 Piece - Chrome - 20 Gauge	10	10
	759-1	1-1/4" Pop-Up Assembly - 1 Piece - Chrome - 20 Gauge	10	10
	759PB-3	1-1/4" Pop-Up Assembly - 1 Piece - Polished Brass - 20 Gauge	12	10

Access BIM/Revit content through [www.oatey.com](http://www.oatey.com)