



**Dearborn®
Brass**

4675 W. 160th St.
Cleveland, Ohio 44135
Ph: (800) 321-9532
Fax: (800) 321-9535
www.dearbornbrass.com

SUBMITTAL SPECIFICATION

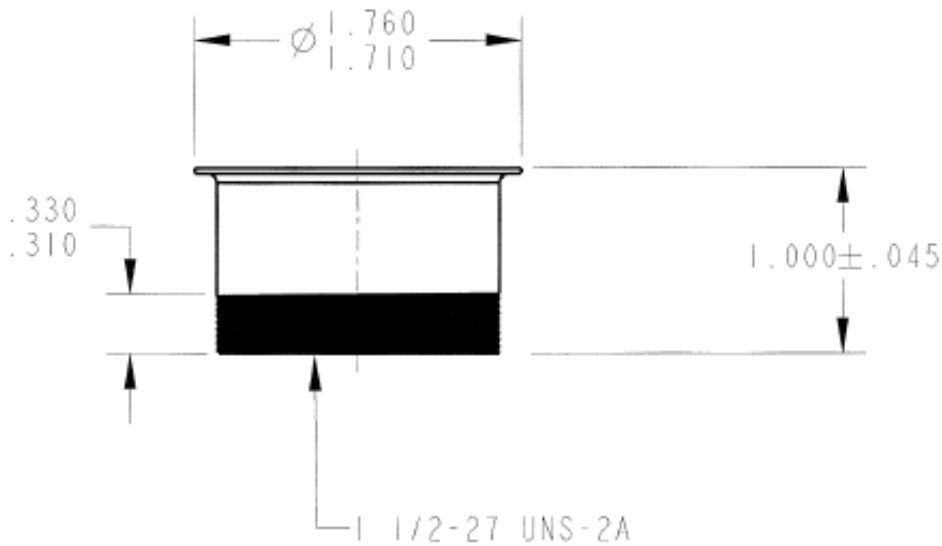
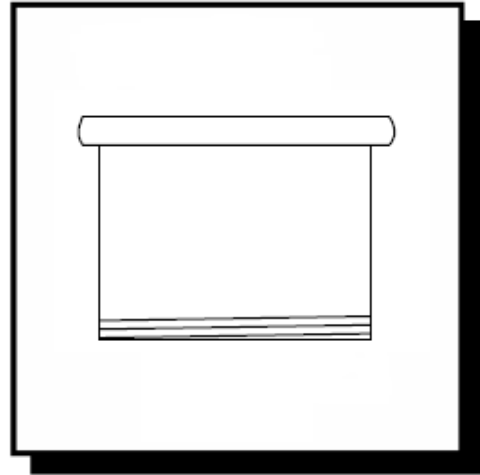
**BRASS TUBULAR
HI-LINE NIPPLE**

Engineering Specification: Dearborn Brass 1-½" Hi-Line Nipple is designed for use with tubular drain applications.

Job Reference

DESCRIPTION

- Chrome Plated
- 17 Gauge Brass
- Hi-Line Nipple



✓	Product No.	Description	Carton Quantity	Carton Weight (lbs)
	163B-1	1-½" Hi-Line Nipple	10	5

Data is subject to manufacturing tolerances.