



OUTLET TEES TECHNICAL SPECIFICATION

Job Name _____	Item # _____
Location _____	
Engineer _____	Contractor _____
PO # _____	Tag _____
Representative _____	

SPECIFICATIONS

Dearborn Outlet Tees with Tailpiece are manufactured with end outlet or center outlet designs. Dearborn is known for providing superior quality plumbing products designed with the plumber in mind.

DESCRIPTION

- Chrome Plated or Unfinished
- 17 or 20 Gauge Brass or Semi-Cast Brass
- 2 Zinc Nuts and 2 Rubber Washers

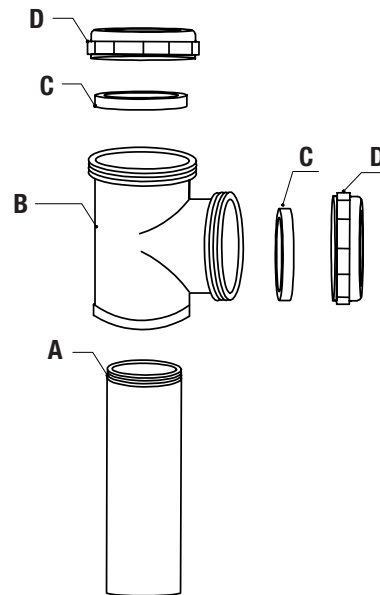
DIMENSIONS

[A]:	Length A	3.50"	[C]:	Dimension C - I.D.	1.36"
[B]:	Length B	2.85"	[D]:	Dimension D - O.D.	2.00"

PRODUCT SELECTOR

OUTLET TEES WITH TAILPIECE			
✓	Product Number	Description	Carton Quantity
	2185-1	1-1/2" Baffle Tee - 20 Gauge for Slip Joint End Outlet Waste	10
	2185-17-1	1-1/2" Baffle Tee - 17 Gauge For Slip Joint End Outlet Waste	10
	2185-C	1-1/2" Baffle Tee - Semi-Cast for Slip Joint End Outlet Waste, Chrome	12

Data is subject to manufacturing tolerances.



Access BIM/Revit content through www.oatey.com