



1-1/2" CENTER OUTLET WASTE, SLIP JOINT CONNECTION TECHNICAL SPECIFICATION

Job Name _____	Item # _____
Location _____	
Engineer _____	Contractor _____
PO # _____	Tag _____
Representative _____	

SPECIFICATIONS

1-1/2" Center Outlet Waste, Slip Joint Connection are designed for use in dual sink tubular drain applications. Available in white or black polypropylene plastic at various lengths.

DESCRIPTION

- Made of polypropylene plastic
- Plastic Center Outlet Waste, Slip Joint Connection
 - (2) Waste Arms
 - (1) Center Outlet Tee w/ Baffle
 - (4) Slip Joint Nuts
 - (4) Washers

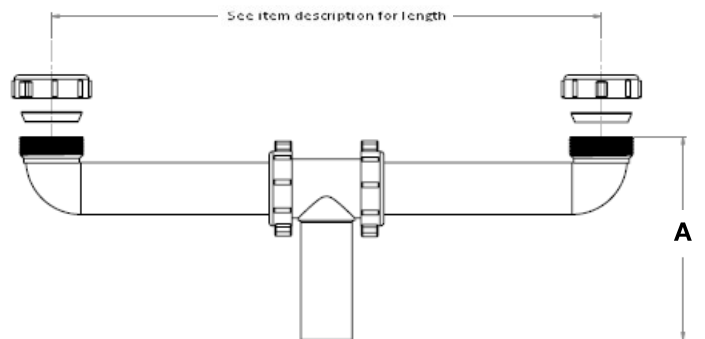
APPROVALS & LISTINGS

- Meets ASTM F 409
- IAPMO Listed



DIMENSIONS

[A]:	Height	5.875"
------	--------	--------



PRODUCT SELECTOR

PLASTIC TUBULAR CENTER OUTLET WASTES WITH SLIP JOINT CONNECTION

✓	Product Number	Description	Carton Quantity
	P9114A	1-1/2" x 16" Center Outlet Waste, Slip Joint Connection - White	25
	A9114A	1-1/2" x 16" Center Outlet Waste, Slip Joint Connection - Black	25
	P9114AB	1-1/2" x 16" Center Outlet Waste, Slip Joint Connection - White, Bagged	25
	P9114B	1-1/2" x 25" Center Outlet Waste, Slip Joint Connection - White	25
	A9123A	1-1/2" x 16" Center Outlet Waste, Slip Joint Connection w/ Hi-Line (Flanged) Adapter - Black	25
	P9123ABG	1-1/2" x 16" Center Outlet Waste, Slip Joint Connection w/ Hi-Line (Flanged) Adapter - White, Bagged	25
	P9123	1-1/2" x 16" Center Outlet Waste, Hi-Line (Flanged) Connection - White	25
	P9123B	1-1/2" x 21" Center Outlet Waste, Slip Joint Connection w/ Hi-Line (Flanged) Adapter - White	25
	P9123A	1-1/2" x 16" Center Outlet Waste, Slip Joint Connection w/ Hi-Line (Flanged) Adapter - White	25

Data is subject to manufacturing tolerances.

Access BIM/Revit content through www.oatey.com