

# INSTRUCTION GUIDE

## BRANCH TAILPIECE



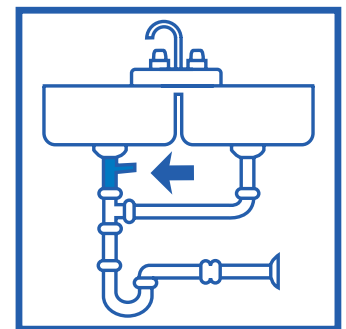
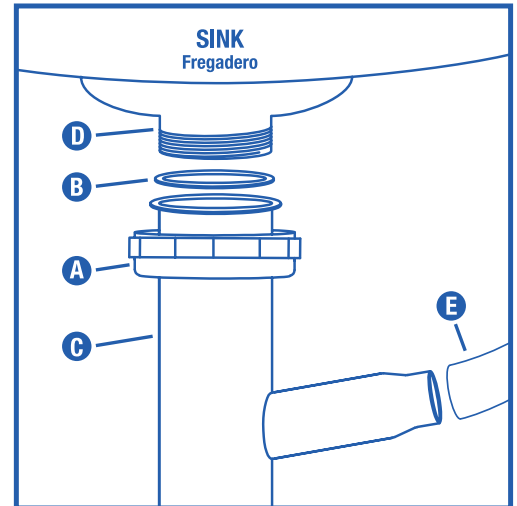
**1** Make sure the bottom of the basket strainer **(D)** is clean of any debris.

**2** Put flanged washer **(B)** on top of the Sweat Branch Tailpiece **(C)** and screw nut **(A)** onto the basket strainer **(D)**.

**3** Connect drain to bottom of Sweat Branch Tailpiece **(C)**.

**4** Connect dishwasher drain **(E)** to the Sweat Branch Tailpiece **(C)** with proper connectors. (dishwasher drain **(E)** connectors are not included in this package).

**5** Tighten all nuts **(A)**. **CHECK FOR LEAKS.**



©2023 Oatey SCS. All Rights Reserved. This information is based on data believed to be reliable but Oatey makes no warranties, express or implied, as to its accuracy and assumes no liability arising out of its use. The data listed falls within the normal range of product properties but should not be used to establish specification limits or used alone as the basis of design. Oatey's liability to purchasers is expressly limited to the terms and conditions of sale. Oatey is trademark of Oatey Co. All other trademarks can be found [www.Oatey.com](http://www.Oatey.com).