

INSTRUCTION GUIDE

PLASTIC GRID DRAIN

Oatey

1

Remove nut and washers from the drain body and place the drain body into the sink hole from the top of the sink to determine the necessary tailpiece length for your application.

2

Remove the drain body from the sink hole, cut tailpiece to desired length and remove all sharp edges.

3

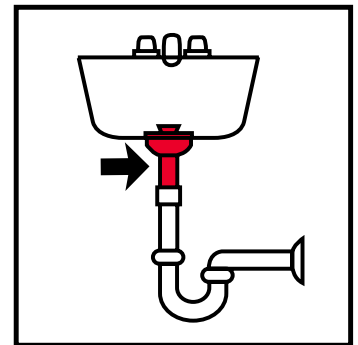
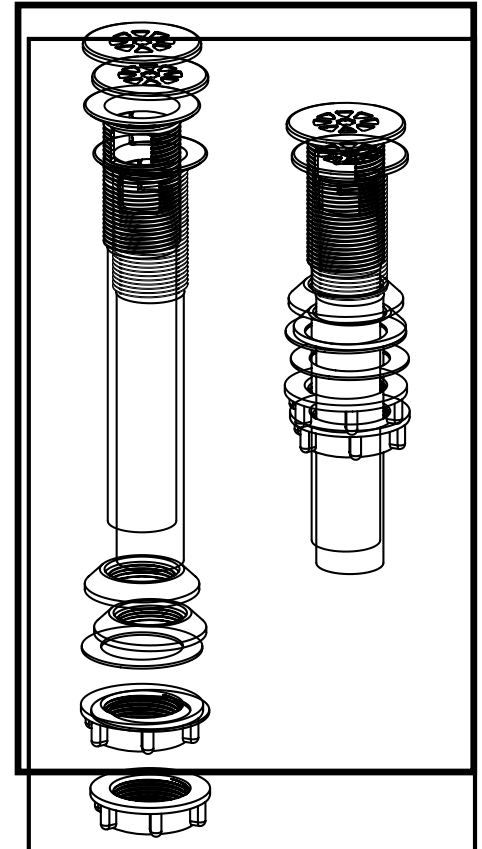
Apply a bead of silicone sealant to the underside of the grid drain flange and place the drain body into the sink hole from the top of the sink.

4

Apply pressure to the top of the strainer and from the underside of the sink and install the rubber gasket (beveled side up), then the friction washer and finally the lock nut.

5

Tighten nut into place, connect to the drainage system and **CHECK FOR LEAKS.**



©2023 Oatey SCS. All Rights Reserved. This information is based on data believed to be reliable but Oatey makes no warranties, express or implied, as to its accuracy and assumes no liability arising out of its use. The data listed falls within the normal range of product properties but should not be used to establish specification limits or used alone as the basis of design. Oatey's liability to purchasers is expressly limited to the terms and conditions of sale. Oatey is trademark of Oatey Co. All other trademarks can be found www.Oatey.com.