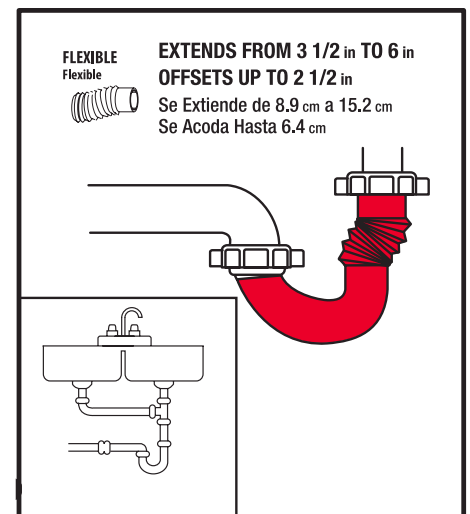
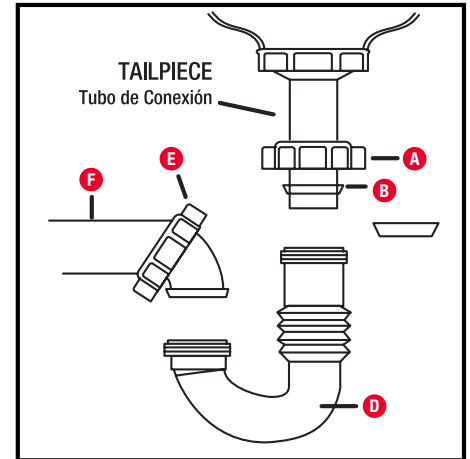


INSTRUCTION GUIDE

FORM-N-FIT P-TRAP

Oatey

- 1** Place nut **(A)** and washer **(B)** on tailpiece.
- 2** Attach J-bend **(D)** to tailpiece and tighten nut **(A)**.
- 3** Place nut **(E)** on wall tube **(F)**, attach to J-bend **(D)** and tighten.
- 4** Attach wall tube **(F)** to wall connect.
- 5** Tighten all nuts. **CHECK FOR LEAKS.**



©2023 Oatey SCS. All Rights Reserved. This information is based on data believed to be reliable but Oatey makes no warranties, express or implied, as to its accuracy and assumes no liability arising out of its use. The data listed falls within the normal range of product properties but should not be used to establish specification limits or used alone as the basis of design. Oatey's liability to purchasers is expressly limited to the terms and conditions of sale. Oatey is trademark of Oatey Co. All other trademarks can be found www.Oatey.com.

Oatey.com