

INSTRUCTION GUIDE

FORM-N-FIT POPUP UNIT

Oatey

1 Seal under flange **(A)**.

2 Thread pop-up **(B)** with washer **(C)** and nut **(D)**, through sink hole into flange **(A)** and tighten to flange **(A)**.

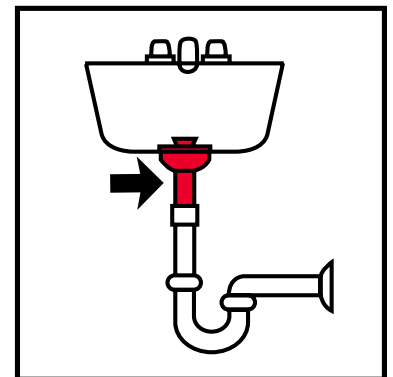
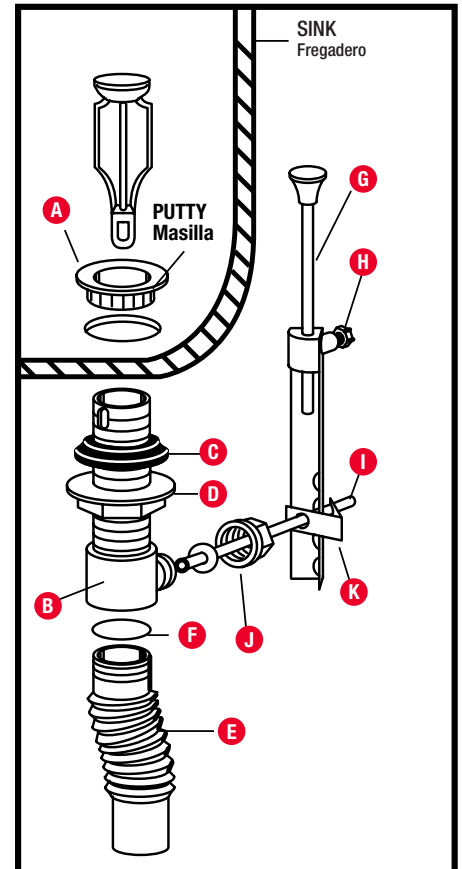
3 Thread tailpiece **(E)** with o-ring **(F)** into pop-up **(B)**.

4 Insert lift rod **(G)** through faucet and attach extension strap **(H)**. Tighten nut **(H)**.

5 Insert pivot rod **(I)** into pop-up **(B)** and secure with nut **(J)**.

6 Attach pivot rod **(I)** to extension strap **(H)** with clip.

7 Tighten nuts. **CHECK FOR LEAKS.**



©2023 Oatey SCS. All Rights Reserved. This information is based on data believed to be reliable but Oatey makes no warranties, express or implied, as to its accuracy and assumes no liability arising out of its use. The data listed falls within the normal range of product properties but should not be used to establish specification limits or used alone as the basis of design. Oatey's liability to purchasers is expressly limited to the terms and conditions of sale. Oatey is trademark of Oatey Co. All other trademarks can be found www.Oatey.com.

Oatey.com