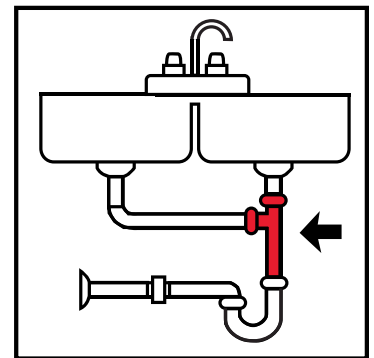
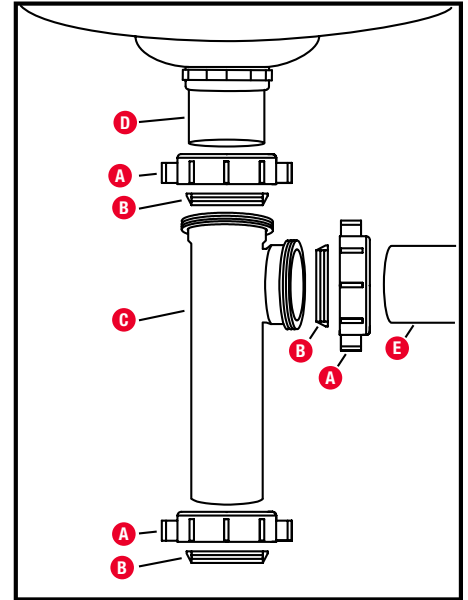


INSTRUCTION GUIDE

END OUTLET TEE

Oatey

- 1** Measure and cut the tailpiece (**D**) and waste arm (**E**) to required length (They should be cut to a length that allows them to stop fully inside the Tee's (**C**) socket.)
- 2** Position nuts (**A**) then washers (**B**) on tailpiece (**D**) and waste arm (**E**).
- 3** Attach tailpiece (**D**) and waste arm (**E**) to Tee (**C**) starting at the top and the side, while making sure they are fully inside the sockets.
- 4** Position nut (**A**) then washer (**B**) on the bottom of the Tee tail piece (**C**) and attach it to the drain.
- 5** Tighten all nuts (**A**). **CHECK FOR LEAKS.**



©2023 Oatey SCS. All Rights Reserved. This information is based on data believed to be reliable but Oatey makes no warranties, express or implied, as to its accuracy and assumes no liability arising out of its use. The data listed falls within the normal range of product properties but should not be used to establish specification limits or used alone as the basis of design. Oatey's liability to purchasers is expressly limited to the terms and conditions of sale. Oatey is trademark of Oatey Co. All other trademarks can be found www.Oatey.com.