

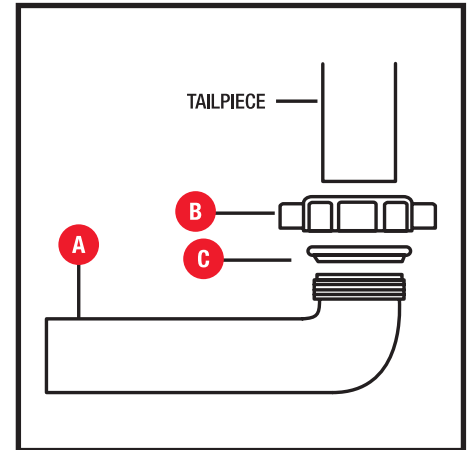
INSTRUCTION GUIDE

15" WASTE ARM

Oatey

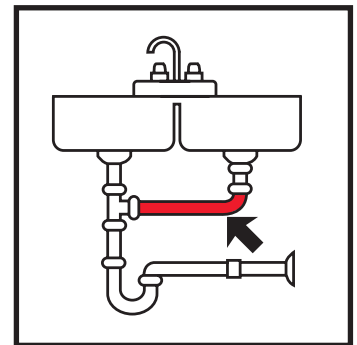
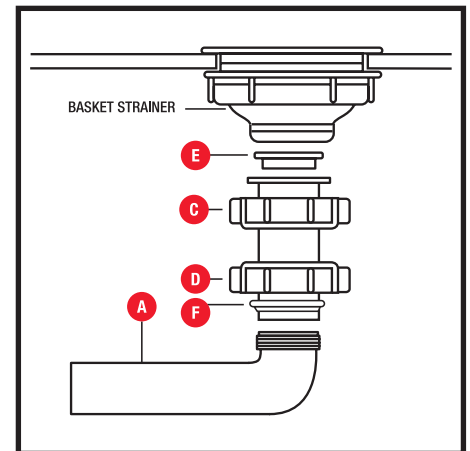
SLIP JOINT CONNECTION

- 1 Measure and cut waste arm (A) to required length.
- 2 Attach waste arm (A) to tailpiece with nut (B) and washer (C).
- 3 Connect end of arm (A) to drain.
- 4 Tighten nuts. **CHECK FOR LEAKS.**



DIRECT CONNECTION

- 1 Measure and cut waste arm (A) to required length.
- 2 Insert flanged tailpiece into nut (C) and (D).
- 3 Place flanged washer (E) into position on flanged tailpiece.
- 4 Place beveled washer (F) on bottom of flanged tailpiece.
- 5 Tighten nut (C) to bottom of strainer.
- 6 Tighten nut (D) onto waste arm (A).
- 7 Tighten nuts. **CHECK FOR LEAKS.**



©2023 Oatey SCS. All Rights Reserved. This information is based on data believed to be reliable but Oatey makes no warranties, express or implied, as to its accuracy and assumes no liability arising out of its use. The data listed falls within the normal range of product properties but should not be used to establish specification limits or used alone as the basis of design. Oatey's liability to purchasers is expressly limited to the terms and conditions of sale. Oatey is trademark of Oatey Co. All other trademarks can be found www.Oatey.com.

Oatey.com