



SELF-CLOSING PIPE CLAMP ACCESSORY - UNIVERSAL STRUT ADAPTOR TECHNICAL SPECIFICATION

Job Name _____	Item # _____
Location _____	
Engineer _____	Contractor _____
PO # _____	Tag _____
Representative _____	

SPECIFICATIONS

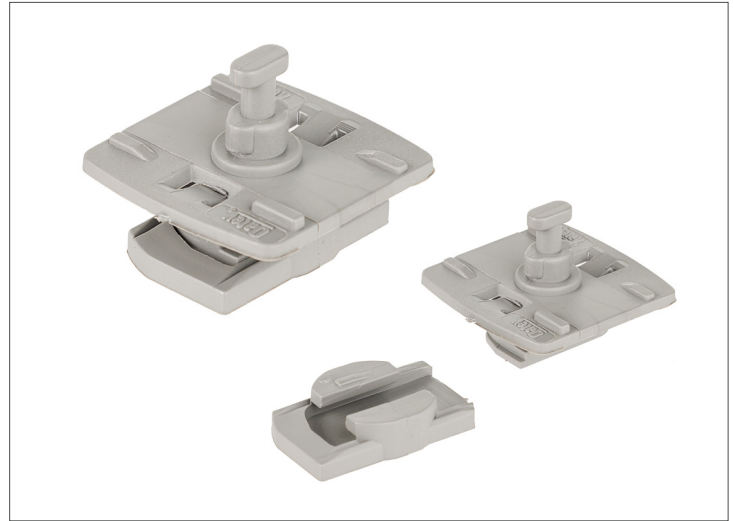
Oatey Universal Strut Adaptors are designed for securing Self-Closing Clamps to strut rail or sliding wall brackets and are ideal for adding pipework to existing installations. Made of corrosion-free polyamide and resistant to UV, aging, oil and gasoline, the strut adaptor is temperature-resistant from -40°F to 200°F and +270°F peak.

MATERIAL

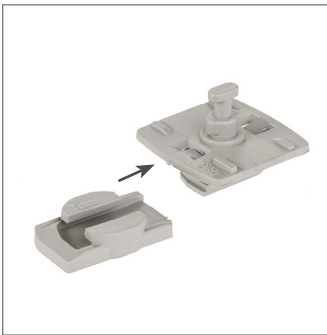
- PA6 (Polyamide)

FEATURES AND MATERIALS

- Strut adaptor for Oatey Self-Closing Pipe Clamps
- For securing self-closing clamps to strut or sliding wall brackets
- For self-closing clamps up to 55 mm or 2 in. CTS dia.
- Suitable for use with 1-5/8 in.–13/16 in. struts
- Temperature resistant from -40°F to 200°F constant, +270°F peak



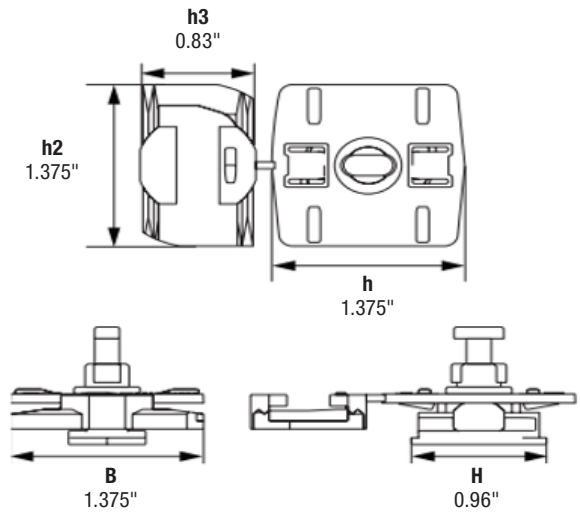
INSTALLATION



For Strut



For Sliding Wall Bracket



PRODUCT SELECTOR

✓	Product Number	Description	Case Pack	B (inches)	H (inches)	h (inches)	h2 (inches)	h3 (inches)
	34357	Universal Strut Adaptor	50	1.375	0.96	1.375	1.375	0.83

Data is subject to manufacturing tolerances.

Access BIM/Revit content through www.oatey.com