

Oatey

DuoFit[®] pipe support system

Oatey[®] Duo-Fit Pipe Support System is designed to hold 1/2" or 3/4" pipe with one clamp. They can be used with copper, CPVC or PEX pipe and provide the versatility you need when mounting pipe vertically or horizontal. Move the pre-loaded nail and you can keep pipe off the stud and allow for expansion and contraction of the pipe system.

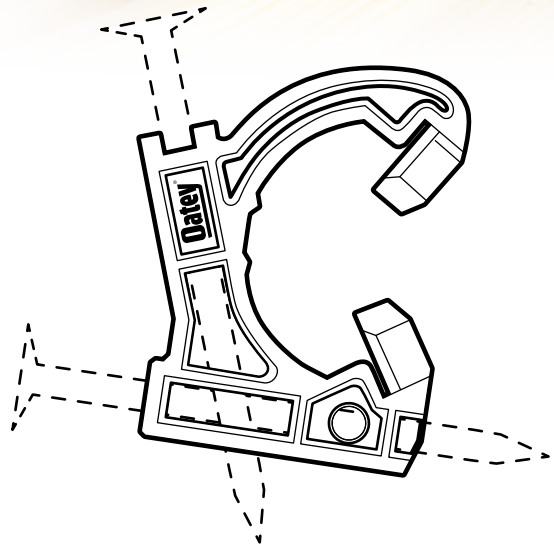
OATEY DUO-FIT INSTALLS QUICKLY, HOLDS PIPE SECURELY IN ANY ANGLE.

Efficient

- Use one clamp for two different size pipes.
- No need to purchase multiple size clamps.
- Nails are pre-loaded for fast installation.

Effective

- Can be used in tight areas.
- Can be used on copper, CPVC or PEX pipe systems.
- Temperature range 0°F-160°F.
- Constructed using black polypropylene.
- Can be used with hydronic systems.
- IAPMO certified.



Features multiple nail paths for various mounting options.

Product Number	Description	Carton Quantity
34285	1/2" - 3/4" DuoFit Pipe Support System with Nail (100 in polybag)	500 pieces
34295	1/2" - 3/4" DuoFit Pipe Support System with Nail (12 in polybag)	6 bags
34297	1/2" - 3/4" DuoFit Pipe Support System with Nail (400 in 2 Gallon Bucket)	1 bucket



Find us on    YouTube

©2019 OateySCS. All Rights Reserved. This information is based on data believed to be reliable but Oatey makes no warranties, express or implied, as to its accuracy and assumes no liability arising out of its use. The data listed falls within the normal range of product properties but should not be used to establish specification limits or used alone as the basis of design. Oatey's liability to purchasers is expressly limited to the terms and conditions of sale. Oatey is a trademark of Oatey Co. Oatey Co. is part of the Oatey family of companies. All other trademarks can be found on Oatey.com.