



CUSHION PIPE CLAMPS TECHNICAL SPECIFICATION

Job Name _____	Item # _____
Location _____	
Engineer _____	Contractor _____
PO # _____	Tag _____
Representative _____	

SPECIFICATIONS

The Oatey Cushion Pipe Clamps shall be used in commercial & residential applications. The black EPDM rubber lining shall eliminate contact between pipe, clamps & strut and reduce noise and vibrations. The one piece design shall provide easier installation with no loose parts.

APPROVALS AND LISTINGS

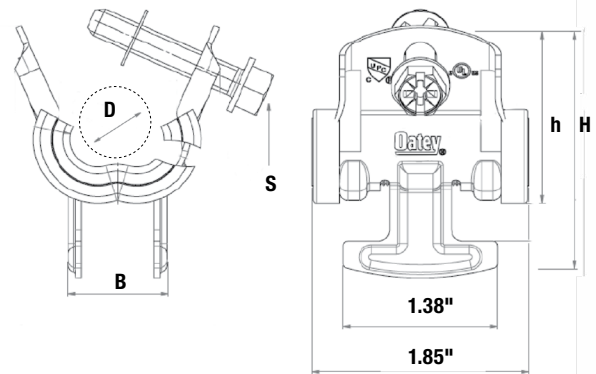
- UL2239
- C UPC (IAPMO)
- 2016-SG-Bauakustik-1647-001-16, Noise Reducing- ISO 3822-1
- Plenum rated - meets the requirements of ASTM E-84

MATERIALS

- Pre-galvanized steel 1.0242
- Age resistant lining: EDPM rubber

FEATURES AND MATERIALS

- 3 way screw head: phillips, flat, hex
- For use with metal pipes
- One piece design eliminates loose parts
- Black EPDM rubber lining protects against galvanic corrosion while reducing pipe noise
- Noise and vibration reducing lining



PRODUCT SELECTOR

✓	Product Number	Description	Case Pack	Diameter CTS (inches)	Diameter IPS (inches)	D (mm)	B (inches)	H (inches)	h (inches)	S (inches)	load max. (lbs)
	33961	1/2 in. CTS and 1/4 in. IPS Cushion Pipe Clamp	25	1/2	1/4	14-16	.85	2.16	1.5	1/4	200
	33962	3/4 in. CTS and 1/2 in. IPS Cushion Pipe Clamp	25	3/4	1/2	20-22	.85	2.44	1.77	1/4	220
	33963	1 in. CTS and 3/4 in. IPS Cushion Pipe Clamp	20	1	3/4	25-29	.85	2.71	2.09	1/4	400
	33981	1-1/2 in. CTS and 1-1/4 in. IPS Cushion Pipe Clamp	20	1-1/2	1-1/4	40-43	.79	3.19	2.56	5/16	400
	33985	1-1/4 in. CTS and 1 in. IPS Cushion Pipe Clamp	10	1-1/4	1	32-35	.79	2.91	2.28	1/4	400
	33986	2 in. IPS Cushion Pipe Clamp	10	2	-	54-56	.79	3.7	3.07	5/16	400
	33987	1-1/2 in. IPS Cushion Pipe Clamp	10	-	1-1/2	48-50	.75	3.5	2.87	5/16	400
	33988	2 in. IPS Cushion Pipe Clamp	10	-	2	60-63	.75	4.05	3.46	5/16	400

Data is subject to manufacturing tolerances.

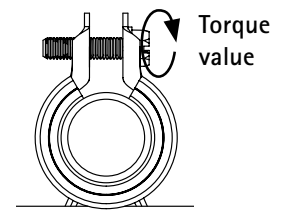
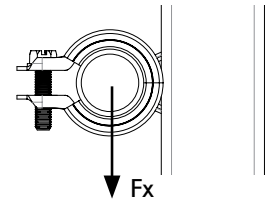
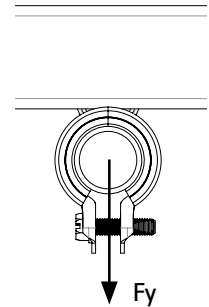
Access BIM/Revit content through www.oatey.com



CUSHION PIPE CLAMPS TECHNICAL SPECIFICATION

TECHNICAL INFORMATION

✓	Product Number	Type	Pipe Size (inches)	Outside Diameter (in)	Outside Diameter (mm)	Fy	Fx	Max. Recommended Torque Value
	33961	Copper Type K&L	1/2"	0.625	15.88	200 lbs 890 N	65 lbs 290 N	1 ft-lbs
		Copper Type ACR	5/8"	0.625	15.88			
		Rigid IPS	1/4"	0.54	13.72			
	33962	Copper Type K&L	3/4"	0.875	22.23	220 lbs 980 N	65 lbs 290 N	1 ft-lbs
		Copper Type ACR	7/8"	0.875	22.23			
		Rigid IPS	1/2"	0.839	21.31			
	33963	Copper Type K&L	1"	1.125	28.58	400 lbs 1780 N	75 lbs 338 N	1.25 ft-lbs
		Copper Type ACR	1 1/8"	1.125	28.58			
		Rigid IPS	3/4"	1.05	26.67			
	33981	Copper Type K&L	1 1/2"	1.625	41.28	400 lbs 1780 N	75 lbs 338 N	1.5 ft-lbs
		Copper Type ACR	1 5/8"	1.625	41.28			
		Rigid IPS	1 1/4"	1.66	42.16			
	33985	Copper Type K&L	1 1/4"	1.375	34.93	400 lbs 1780 N	75 lbs 338 N	1.25 ft-lbs
		Copper Type ACR	1 3/8"	1.375	34.93			
		Rigid IPS	1"	1.31	33.27			
	33986	Copper Type K&L	2"	2.125	53.98	400 lbs 1780 N	45 lbs 200 N	1.5 ft-lbs
		Copper Type ACR	2 1/8"	2.125	53.98			
	33987	Rigid IPS	1 1/2"	1.9	48.26	400 lbs 1780 N	75 lbs 338 N	1.5 ft-lbs
	33988	Rigid IPS	2"	2.37	60.2	400 lbs 1780 N	45 lbs 200 N	1.5 ft-lbs



Data is subject to manufacturing tolerances.

Access BIM/Revit content through www.oatey.com