



# OATEY® QUARTER TURN DUAL OUTLET VALVES TECHNICAL SPECIFICATION

Job Name _____	Item # _____
Location _____	
Engineer _____	Contractor _____
PO # _____	Tag _____
Representative _____	

## SPECIFICATIONS

Oatey® Quarter Turn Dual Outlet Valves shall be used in residential or commercial applications requiring distribution of potable hot and cold water that are in accessible locations only. The valves can be used for the following: faucets, water coolers, refrigerators, ice makers, dishwashers and instantaneous hot water dispensers. The valves are built from high quality materials and shall contain a brass forged chrome-plated body and solid brass stem as well as a solid brass chrome-plated ball. Oatey quarter turn angle valves shall be quarter turn, feature a full-size handle and feature PTFE seats to allow for easy operability of the valve. The valves shall also feature a double o-ring seal on the stem connection to the ball. The valve shall also be available in multiple inlet and outlet connection types to meet desired applications and water supply line connections. Oatey quarter turn and valves shall meet the necessary listings and certifications required under NSF, ANSI and ASME, as well as be UPC listed.

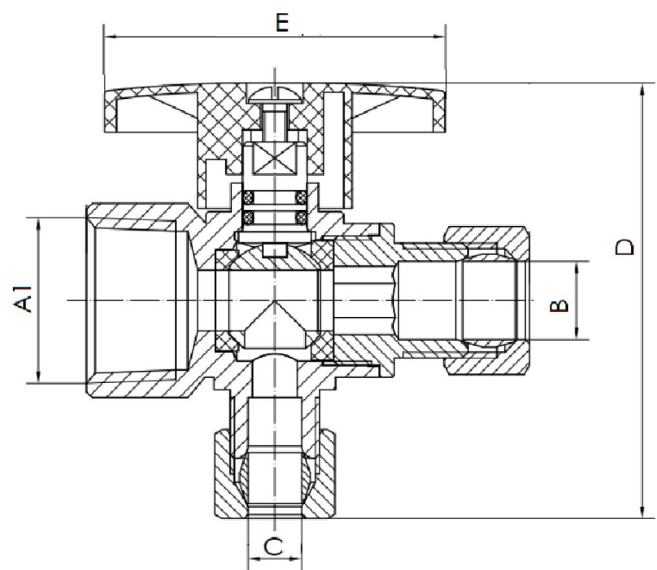
## APPROVALS AND LISTINGS

Listings & Certifications	
NSF/ANSI/CAN 61-2021	IAPMO Certified
NSF/ANSI/CAN 372-2022	IAPMO Certified
ASME A112.18.1-2018/ CSA B125.1-18	IAPMO Certified
UPC	IAPMO Certified

## FEATURES & MATERIALS

Operating Specifications	
Temperature	40F to 160F
Pressure	125 PSI Maximum

Component	Material Composition
Handle Screw	Stainless Steel
Handle	ABS, Chrome Plated
Stem	Brass
Stem O-Ring	NBR
Stop Body	Low Lead Brass, Chrome Plated
Ball Disc Packing	PTFE
Ball	Low Lead Brass, Chrome Plated
Outlet Plug	Low Lead Brass, Chrome Plated
Compression Ring	Brass, Chrome Plated
Compression Nut	Brass, Chrome Plated



Access BIM/Revit content through [www.oatey.com](http://www.oatey.com)



# OATEY® QUARTER TURN DUAL OUTLET VALVES TECHNICAL SPECIFICATION

Job Name _____	Item # _____
Location _____	
Engineer _____	Contractor _____
PO # _____	Tag _____
Representative _____	

## FIP x Compression

Select ✓	Product Number	Item Description	Dimension A	Dimension B	Dimension C	Dimension D (Inches)	Dimension E (Inches)	Packaging Type	Ctn Qty
	4780PCLF	QUARTER TURN DUAL OUTLET STOP 1/2 FIP X 3/8 OD X 1/4 OD	1/2 FIP	3/8 OD	1/4 OD	2.00	1.73	Box	24
	4781PCLF	QUARTER TURN DUAL OUTLET STOP 1/2 FIP X 3/8 OD X 3/8 OD	1/2 FIP	3/8 OD	3/8 OD	2.00	1.73	Box	24
	4782PCLF	QUARTER TURN DUAL OUTLET STOP 1/2 FIP X 1/2 OD X 3/8 OD	1/2 FIP	1/2 OD	3/8 OD	2.00	1.73	Box	24

## Compression x Compression x Compression

Select ✓	Product Number	Item Description	Dimension A	Dimension B	Dimension C	Dimension D (Inches)	Dimension E (Inches)	Packaging Type	Ctn Qty
	4784PCLF	QUARTER TURN DUAL OUTLET STOP 1/2 NOM COMP X 3/8 OD X 1/4 OD	1/2 NOM	3/8 OD	1/4 OD	2.00	1.73	Box	24
	4785PCLF	QUARTER TURN DUAL OUTLET STOP 1/2 NOM COMP X 3/8 OD X 3/8 OD	1/2 NOM	3/8 OD	3/8 OD	2.00	1.73	Box	24
	4786PCLF	QUARTER TURN DUAL OUTLET STOP 1/2 NOM COMP X 1/2 OD X 3/8 OD	1/2 NOM	1/2 OD	3/8 OD	2.00	1.73	Box	24

Access BIM/Revit content through [www.oatey.com](http://www.oatey.com)