



Job Name _____	Item # _____
Location _____	
Engineer _____	Contractor _____
PO # _____	Tag _____
Representative _____	

WALLDRAIN SHOWER KIT TECHNICAL SPECIFICATION

DESCRIPTION

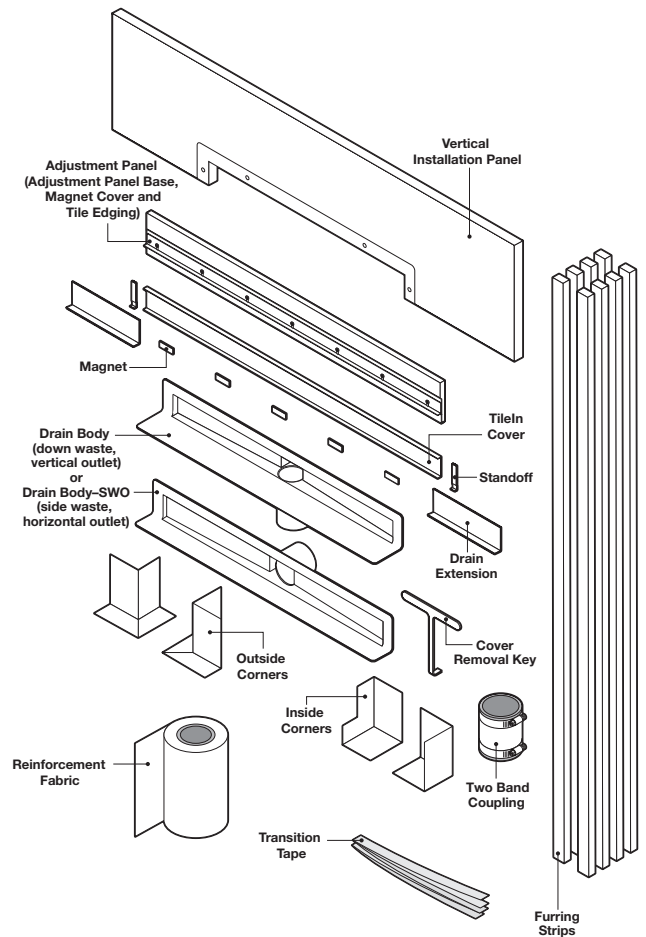
- Length adjustability of drain body with use of drain extensions (24" for each side, 48" total) to accommodate shower sizes from 26" - 72" with the use of one drain and 56" - 96" with two drains linked together.
- Used with topical liquid waterproofing.
- Drain capacity for 2" outlet is 12 GPM (the actual volume is limited by the plumbing lines and P-trap). Multiple drains can be linked together to accommodate greater water flow or larger shower size

INCLUDES

- Vertical Installation Panel* (1)
- Drain Body (1)
- Adjustment Panel* (1)
- Adjustment Panel Base (1)
- Magnet Cover (1)
- Tile Edging (1)
- Magnets (5)
- TileIn Cover*
- Drain Extension (2)
- Standoff (2)
- 48" Furring Strips (8)
- Reinforcement Fabric
- Inside Corners (2)
- Outside Corners (2)
- Transition Tape (1)
- Two Band Coupling (1)

APPROVALS AND LISTINGS

Before installing the QuickDrain system, check with your local building department/plumbing inspector to ensure compliance with the local building codes. QuickDrain is not responsible for any conflicts with local building codes. QuickDrain is not responsible for improper installation of any part of the assembly or the waterproofing membrane. Dimensions are subject to manufacturer's tolerance and can change without notice.



MODEL NUMBER	PART	LENGTH
WALLD48	48" WallDrain Kit	26"-48"
WALLD72	72" WallDrain Kit	26"-72"

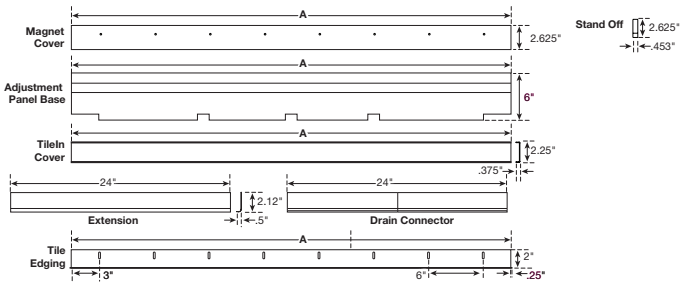


Access BIM/Revit content through www.oatey.com



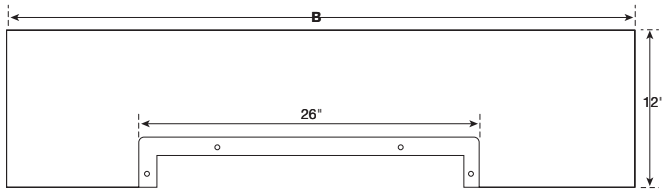
WALLDRAIN SHOWER KIT TECHNICAL SPECIFICATION

DIMENSIONS (ADJUSTMENT PANEL ASSEMBLY)

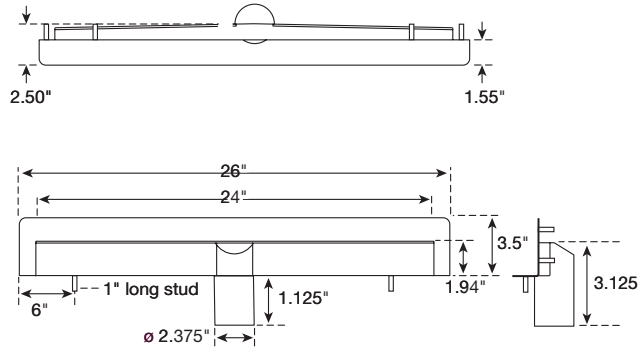


MODEL	A	B
WALLD48	48"	48"
WALLD72	72"	72"

VERTICAL INSTALLATION PANEL DIMENSIONS



DRAIN BODY (DOWN WASTE, VERTICAL OUTLET) DIMENSIONS



Access BIM/Revit content through www.oatey.com



Job Name _____	Item # _____
Location _____	
Engineer _____	Contractor _____
PO # _____	Tag _____
Representative _____	

WALLDRAIN PAN KIT FOR CURBLESS/ADA SHOWERS TECHNICAL SPECIFICATION

DESCRIPTION

- Tileable shower receptors for WallDrain
- Is made of extruded rigid PET (polyethyleneterephthalate) plastic foam. It is strong yet lightweight, non-reactive, economical, and shatterproof
- Chemically stable, UV resistant and suitable for both interior and exterior use
- Can be used with both sheet and liquid topical waterproofing
- Speed and consistency of installation
- Eliminates the need for traditional mud bed installations
- Lightweight, durable with high compressive strength 145PSI
- Can be quickly and easily modified to size and shape of on site conditions
- Meets IAPMO PS-106
- 100% Post Consumer recycled and fully recyclable 



APPLICATIONS / USES

- Interior and exterior use
- Industrial, commercial and residential showers
- Gang showers
- Pet Showers

SUITABLE SUBSTRATES (INTERIOR ONLY)

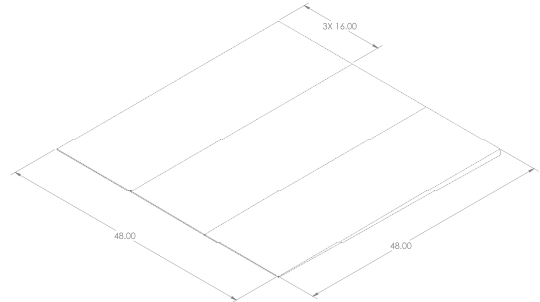
- Concrete
- Exterior Glue Plywood
- Cement backer board**
- OSB or Avantech

**Consult cement backer board manufacturer for specific installation recommendations

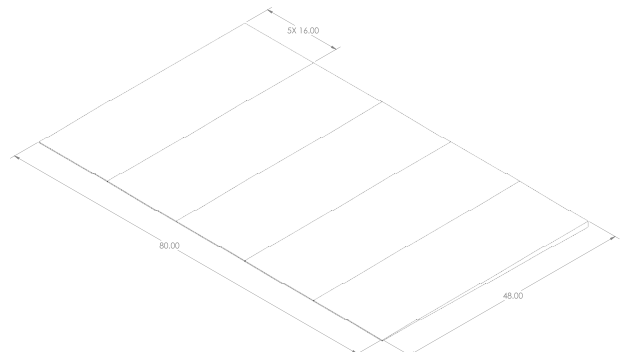
APPROVALS AND LISTINGS

Before installing the QuickDrain system, check with your local building department/plumbing inspector to ensure compliance with the local building codes. QuickDrain is not responsible for any conflicts with local building codes. QuickDrain is not responsible for improper installation of any part of the assembly or the waterproofing membrane. Dimensions are subject to manufacturer's tolerance and can change without notice.

ITEM CODE	SLQSADA (16" X 48")
WDP4848A WallDrain Curbless Shower Pan 48" x 48"	3



ITEM CODE	SLQSADA (16" X 48")
WDP7248A WallDrain Curbless Shower Pan 72" x 48"	5



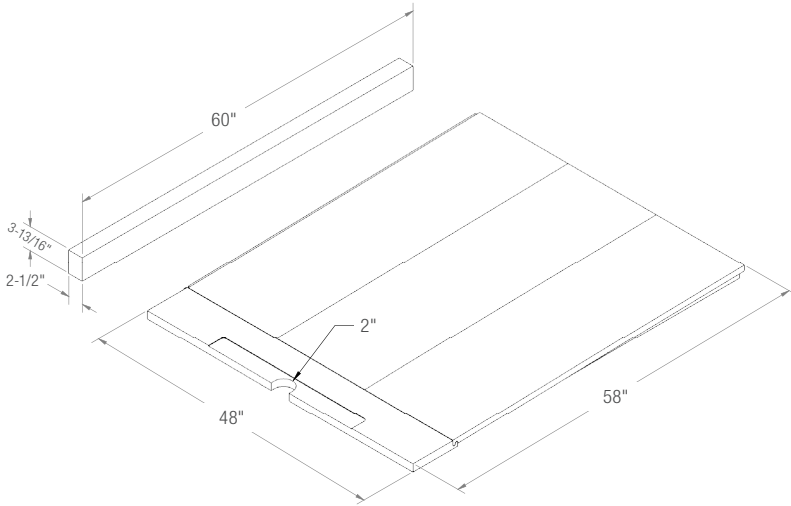
Access BIM/Revit content through www.oatey.com



WALLDRAIN PAN KITS FOR CURBED SHOWERS TECHNICAL SPECIFICATION

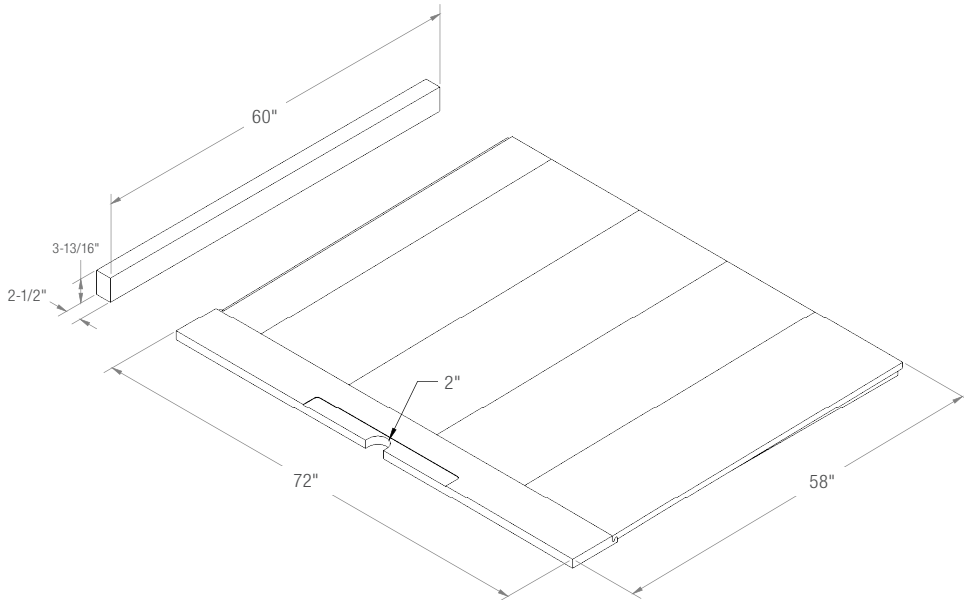
WDPAN4858
WALLDRAIN CURBED SHOWER PAN 48" X 58"

ITEM CODE	PAN	SLQS1652	SLQS852	SLCURB	CURBLAG
WDPAN4858	WDHIP48	3	-	1	5



WDPAN7258
WALLDRAIN CURBED SHOWER PAN 72" X 58"

ITEM CODE	PAN	SLQS1652	SLQS852	SLCURB	CURBLAG
WDPAN7258	WDHIP72	4	1	2	7



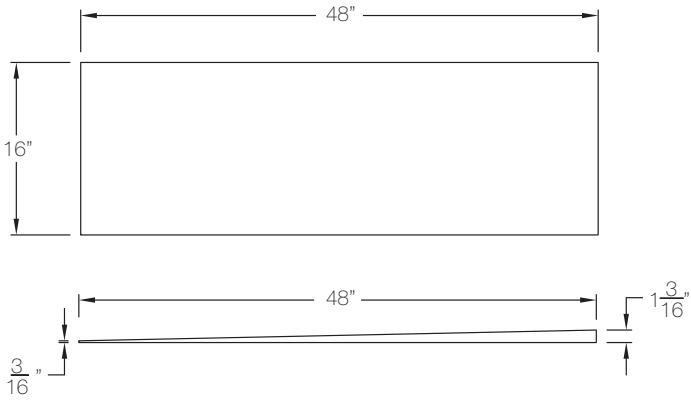
Access BIM/Revit content through www.oatey.com



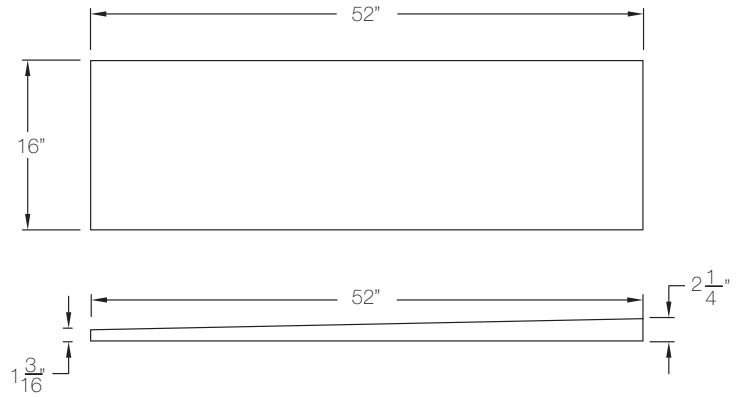
WALLDRAIN PAN KITS TECHNICAL SPECIFICATION

DIMENSIONS

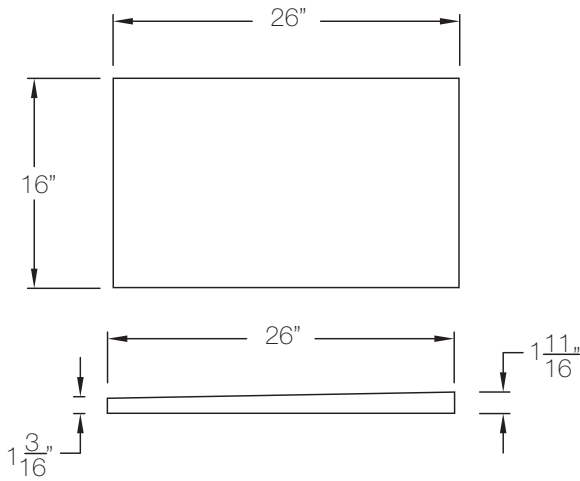
SLQSADA (QUICK SLOPE ADA)



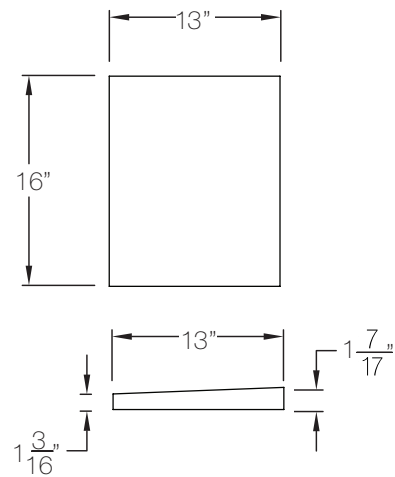
SLQSADAEX1652



SLQSADAEX1626



SLQSADAEX1613



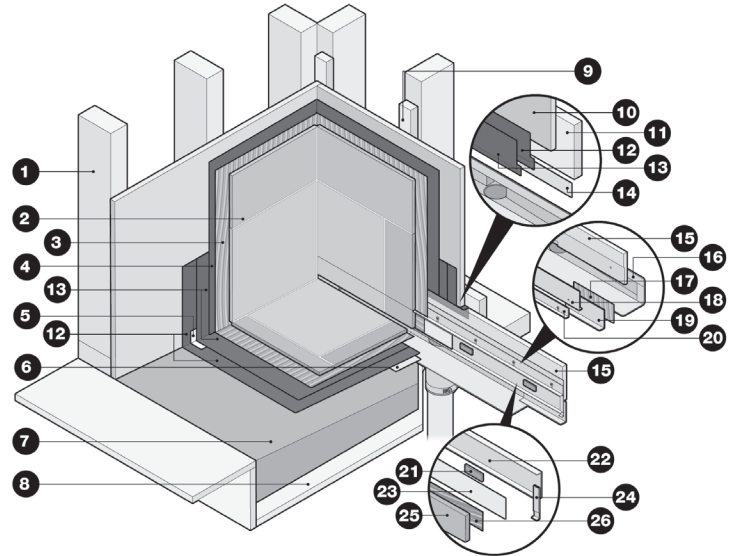
Access BIM/Revit content through www.oatey.com

WALLDRAIN SHOWER KIT TECHNICAL SPECIFICATION

INSTALLATION NOTES

- Drain body cannot be shortened or modified. It can be lengthened with use of drain extensions.
- Cutaway illustration (shown) is liquid waterproofing with mortar bed installation. **For different types of installations, please see other cutaway illustrations at LRBrands.com/QuickDrain**

1 Stud Wall	9 Furring Strips
2 Tile and Grout	10 Backer Board
3 Thin Set (for tile)	11 Vertical Installation Panel
4 Liquid Wall Waterproofing	12 First Layer of Shower Pan Liquid Waterproofing
5 Reinforcement Tape	13 Second Layer of Shower Pan Liquid Waterproofing
6 Transition Tape	14 Transition Tape
7 Concrete Slope	15 Adjustment Panel Base
8 Recessed Floor	16 Drain Body
	17 Thin Set (for extension)
	18 Magnet Cover
	19 Extension
	20 Tile Edging
	21 Magnet
	22 TileIn Cover
	23 Transition Tape
	24 Standoff
	25 Tile
	26 Thin Set (for TileIn)



WALLDRAIN: DRAIN CONNECTION

It is recommended to install the vertical installation panels without cutting them on the side where they meet since the sloped connector is made to fit between the two drain bodies. This might not be possible in cases where the length of the shower cannot accommodate the 78" of minimum length, waste outlets cannot be placed in the specific places where required by the drain layout or other circumstances.

This installation is the same as an installation of two separate drains. Special attention should be paid to the alignment of the drain bodies (both horizontally and vertically). The horizontal flanges need to be set at the same height and level, but the vertical plane must be flat and straight.

After vertical installation panels and drain bodies are set, continue with standard WallDrain liquid waterproofing, except where the vertical installation panels meet. This joint needs to be treated as a any other joint in liquid waterproofing and covered with reinforcement tape.

When installing the drain extensions, the ends are treated the same way as in standard installation. Regular drain extensions are installed at an angle using thinset and transition tape. The area between the drains is very similar except that the connector is shaped to provide a slope and fit between the ends of drain bodies (if the vertical installation panels are not cut between the drains).

If vertical installation panels or even one of them is cut then the connector needs to be trimmed equally on both to provide equal flow of water to both sides of the connector and thus the waste outlets in drain bodies.

When ready to install the connector (trimmed or untrimmed) place transition tape on the back and install with the use of thin set the same way as the drain extensions. Make sure that the middle point is sticking forward and the ends of the connector are tight to the drain body.

When these are installed, proceed with standard installation of adjustment panels and covers.

