



GENERAL PURPOSE DRAIN TECHNICAL SPECIFICATION

Job Name _____	Item # _____
Location _____	
Engineer _____	Contractor _____
PO # _____	Tag _____
Representative _____	

DESCRIPTION

Oatey General Purpose Drains shall be used where necessary in drainage systems where waterproofing membrane is not required. It shall be suitable for use in residential and commercial applications. Drain shall have an ABS/PVC body with Schedule 40 hub connection and connect to pipe via solvent cement weld joint. Strainer shall meet applicable load requirements for intended use and provide access to the drainage system via removal screws.

FEATURES AND BENEFITS

- Fits over 2 in. or inside 3 in. / over 3 in. or inside 4 in. Schedule 40 DWV pipe
- Made of durable PVC or ABS
- Removable 4" or 5" screw-in strainer offers easy access to drain line
- Compatible with Oatey® DrainSeal (2" or 3")

APPLICATIONS

Suitable for:

- Residential, commercial, and industrial applications
- For indoor or outdoor use

PHYSICAL PROPERTIES

Drain body	ABS or PVC
Strainer	Stainless Steel, Nickel Alloy, or Brass

APPROVALS AND LISTINGS

Certified to meet ASTM A112.18.2 / CSA B125.2	
43578	
43579	
43582	
43583	
43600	-
43601	-
43598	-
43599	-



Access BIM/Revit content through www.oatey.com



GENERAL PURPOSE DRAIN TECHNICAL SPECIFICATION

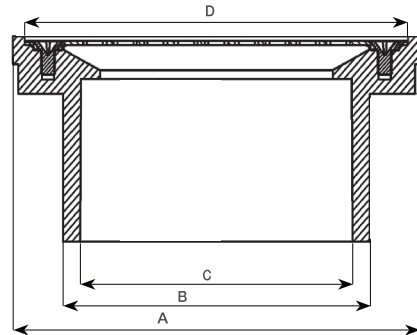
Job Name _____	Item # _____
Location _____	
Engineer _____	Contractor _____
PO # _____	Tag _____
Representative _____	

Drains with Round Strainer

- 4" or 5" Screw-in strainer
- Stainless steel or nickel alloy



**All Screws Size:
Flat Head 10-24 X 3/8**



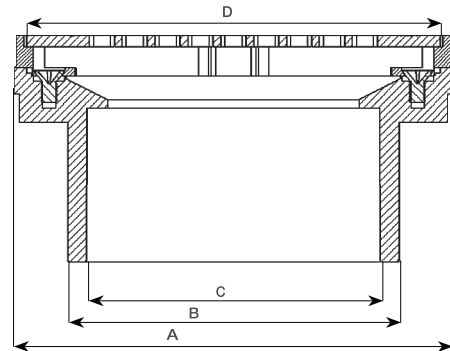
Drains with Round Strainer & Metal Ring

- 5" Brass screw-in strainer



**All Screws Size:
Flat Head 10-24 X 3/8**

**Metal Ring used
with 43598 and
43599**



PRODUCT SELECTOR

✓	Product Number	Pipe Size (B or C)	Description	Pack	Dimensional Data				
					A Drain Top Diameter	B Outlet Outer Diameter	C Outlet Inner Diameter	D Strainer	E Total Height
	43578	Fits over 2" or in 3"	ABS drain w/ 4" stainless steel strainer	12	4-1/4"	3"	2-3/8"	4"	2-5/16"
	43579		PVC drain w/ 4" stainless steel strainer	12					
	43582	Fits over 3" or in 4"	ABS drain w/ 5" stainless steel strainer	12	5-1/4"	4"	3-1/2"	5"	
	43583		PVC drain w/ 5" stainless steel strainer	12					
	43600		ABS drain w/ 5" nickel alloy strainer	12					
	43601		PVC drain w/ 5" nickel alloy strainer	12					
	43598		ABS drain w/ 5" brass strainer & metal ring	12					
	43599		PVC drain w/ 5" brass strainer & metal ring	12					
									2-11/16"

Data is subject to manufacturing tolerances.

Access BIM/Revit content through www.oatey.com