



AVAILABLE
THROUGH
OATEY SCS

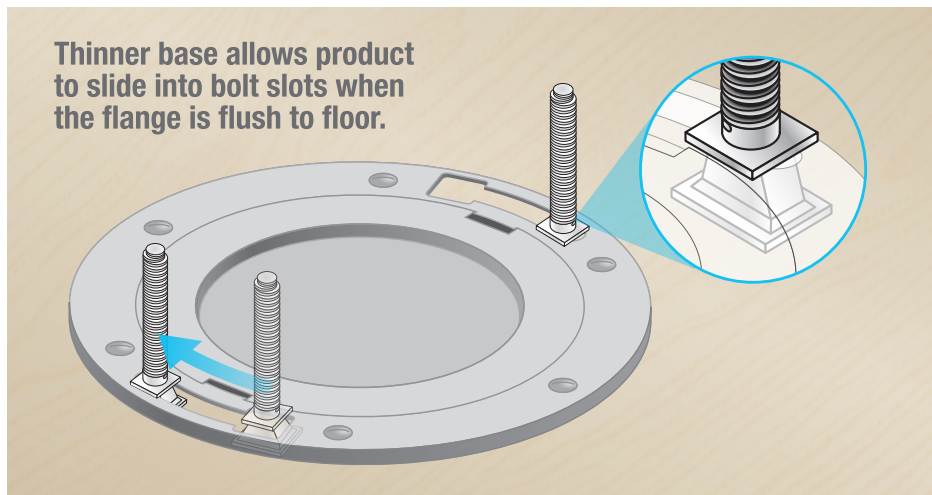
NO MORE CORROSION

Harvey Nylon Bol-Bolts® do not corrode over time, unlike brass-plated bolts.



FEATURES & BENEFITS

- Universal application fits all flanges and material types.
- Increased head size so bolts won't fall through the drain pipe.
- More threads and specified design create a secure fit so the nut will stay in place and reduce backing out.



Drive sales at
your counter with the
Bucket of Bolts!



Product Number	Size	Description	Carton Qty	UPC
051158	2-1/2" x 5/16"	Nylon Bolt Bulk Pack (2 bolts and 2 nuts per bag)	50	078864511581
051158-D	2-1/2" x 5/16"	Nylon Bolt Display Bucket of Bolts (2 bolts and 2 nuts per bag)	50	078864511581
051159	3-1/2" x 5/16"	Nylon Bolt Bulk Pack (2 bolts and 2 nuts per bag)	50	078864511598



Find us on

©2017 OateySCS. All Rights Reserved. This information is based on data believed to be reliable but Oatey makes no warranties, express or implied, as to its accuracy and assumes no liability arising out of its use. The data listed falls within the normal range of product properties but should not be used to establish specification limits or used alone as the basis of design. Oatey's liability to purchasers is expressly limited to the terms and conditions of sale. Oatey is a trademark of Oatey Co. Oatey Co. is part of the Oatey family of companies. All other trademarks can be found on www.oatey.com.