



**Dearborn®
Brass**

4675 W. 160th St.
Cleveland, Ohio 44135
Ph: (800) 321-9532
Fax: (800) 321-9535
www.dearbornbrass.com

SUBMITTAL SPECIFICATION

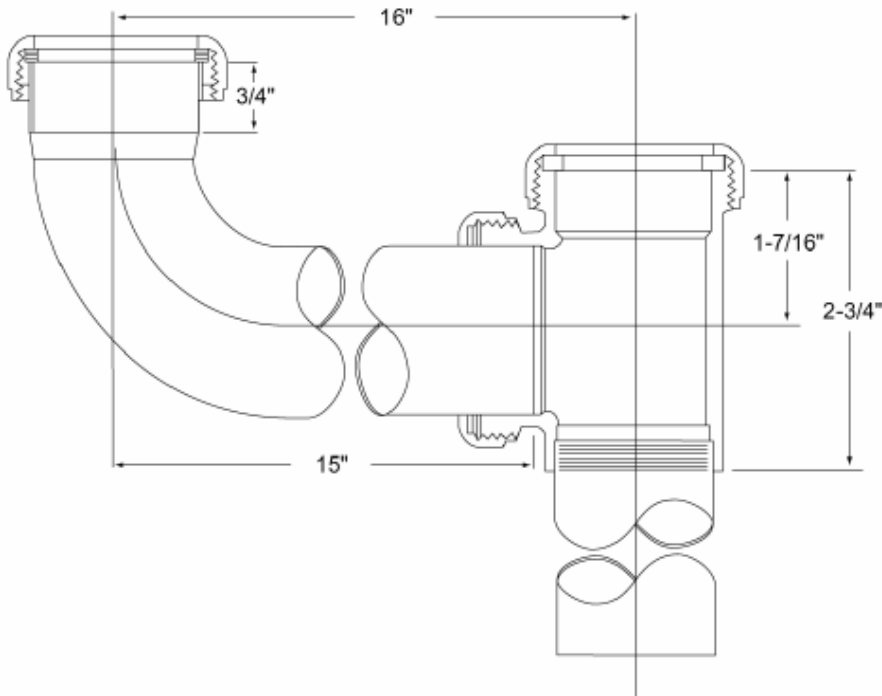
**BRASS TUBULAR
1-½" x 16" CENTER TO CENTER
END OUTLET WASTE – L.A. CODE**

Engineering Specification: Dearborn Brass 1-½" x 16" Center to Center End Outlet Waste – L. A. Code is for use in tubular drain applications.

Job Reference

DESCRIPTION

- Unfinished Brass
- 20 Gauge
- cUPC Listed
- 1-½" P-Trap With Cleanout
 - (1) Waste Arm
 - (1) 1-½" x 3" Tailpiece (Threaded One End)
 - (3) 1-½" Brass Nuts
 - (3) 1-½" Rubber Washers
 - (1) 1-½" Baffle Tee



✓	Product No.	Description	Carton Quantity	Carton Weight (lbs)
	50-3	1-½" x 16" Center to Center End Outlet Waste – L. A. Code	10	2

Data is subject to manufacturing tolerances.