



**Dearborn®
Brass**

4675 W. 160th St.
Cleveland, Ohio 44135
Ph: (800) 321-9532
Fax: (800) 321-9535
www.dearbornbrass.com

SUBMITTAL SPECIFICATION

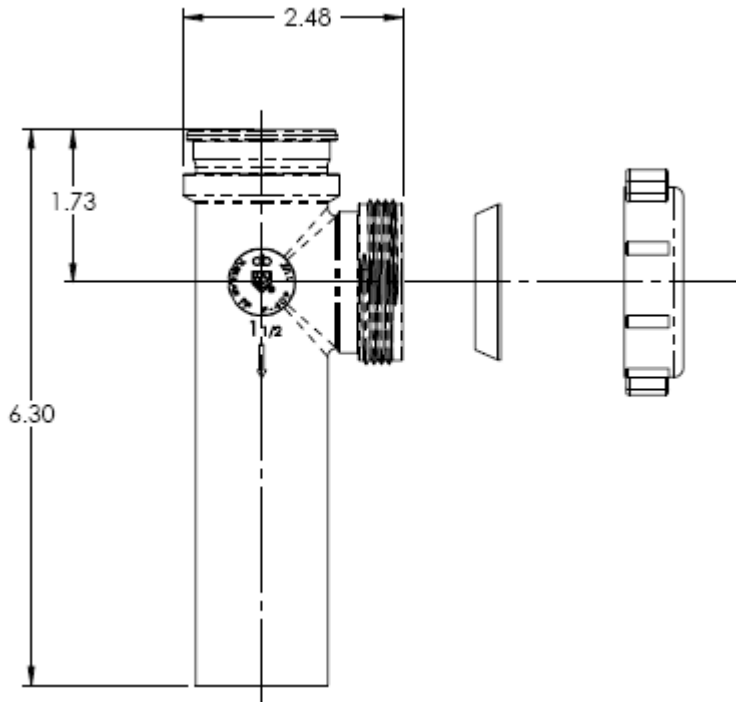
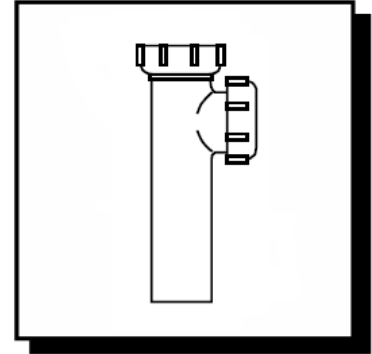
**PLASTIC TUBULAR
BAFFLE TEE FOR END OUTLET
WITH HI-LINE CONNECTION**

Engineering Specification: Dearborn Brass Plastic Tubular End Outlet Tee is designed for use in tubular drain applications.

Job Reference

DESCRIPTION

- Made of white polypropylene plastic
- End Outlet Tee
 - Tailpiece Tee
 - (1) Slip Nut
 - (1) Washer



- Meets ASTM F 409
- IAPMO Listed



✓	Product No.	Description	Carton Quantity	Carton Weight (lbs)
	P9187	1-1/2" Baffle Tee for End Outlet with Hi-Line Connection – White	25	4.4

Data is subject to manufacturing tolerances.