



**Dearborn®
Brass**

4675 W. 160th St.
Cleveland, Ohio 44135
Ph: (800) 321-9532
Fax: (800) 321-9535
www.dearbornbrass.com

SUBMITTAL SPECIFICATION

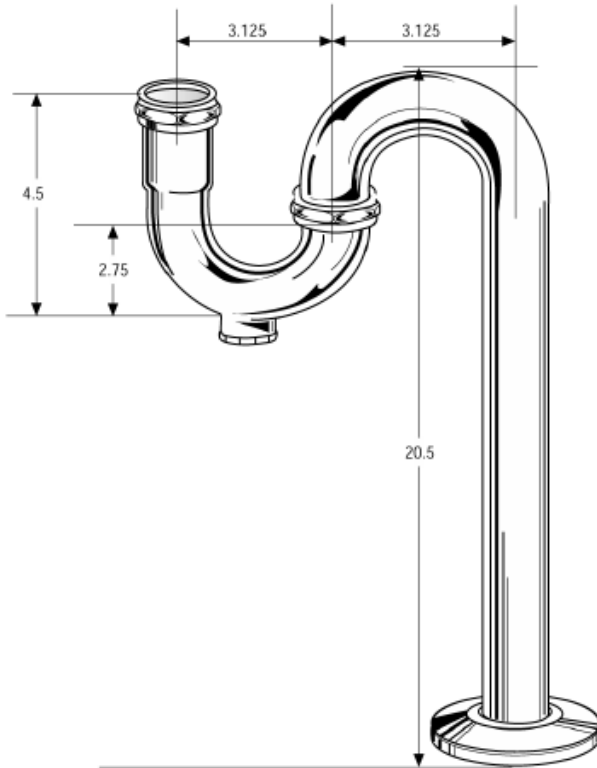
BRASS TUBULAR S-TRAP WITH CLEANOUT

Engineering Specification: Dearborn Brass 1-¼" or 1-½" Brass Tubular S-Traps with Cleanout are designed for use in tubular drain applications. Cleanout provides convenient access to drain plumbing trap.

Job Reference

DESCRIPTION

- Chrome Finish
- 17 Gauge Brass
- S-Trap with Cleanout
 - Metal Flange
 - Short J-Bend with Cleanout
 - Long J-Bend
 - Cleanout Plug
 - Fiber Cleanout Washer
 - (2) Brass Nuts
 - (2) Rubber Washers



✓	Product No.	Description	Carton Quantity	Carton Weight (lbs)
	725BN-1	1-¼" S-Trap with Cleanout and Brass Nuts – 17 Gauge	5	9
	726BN-1	1-½" S-Trap with Cleanout and Brass Nuts – 17 Gauge	5	12

Data is subject to manufacturing tolerances.